

PART NUMBER	PROBE LENGTH	REF A (INSERTION LENGTH)
A/XX-D-2"-PB	2"	1.31"±0.13"
A/XX-D-4"-PB	4"	3.31"±0.13"
A/XX-D-6"-PB	6"	5.31"±0.13"
A/XX-D-8"-PB	8"	7.31"±0.13"
A/XX-D-12"-PB	12"	11.31"±0.25"
A/XX-D-18"-PB	18"	17.31"±0.25"

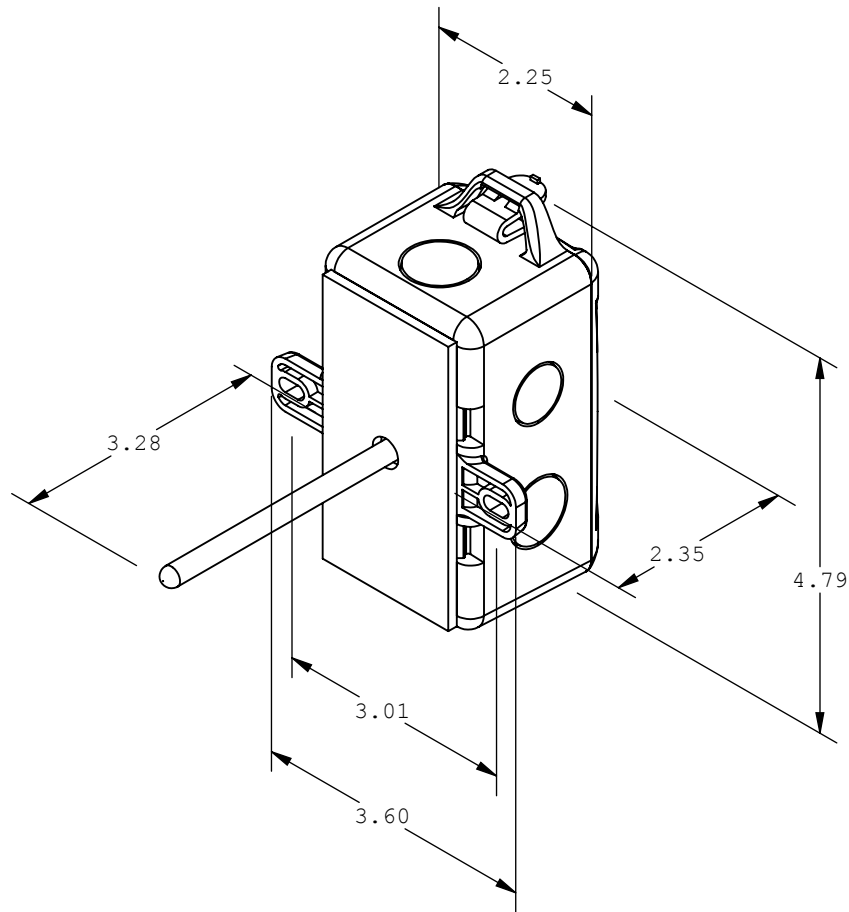
TOLERANCE: (UNLESS NOTED)
 3 PLACE DECIMAL = ±0.005
 2 PLACE DECIMAL = ±0.015
 1 PLACE DECIMAL = ±0.050
 ALL DIMENSIONS IN INCHES.
 DRAWING NOT TO SCALE.

WARNING!
 CONFIDENTIAL
 INFORMATION -- PROPERTY
 OF ACI. UNAUTHORIZED
 USE STRICTLY FORBIDDEN.



ITEM NUMBER
 A/XX-D-X-PB

DATE	DESCRIPTION	DRAWN BY	APPROVED BY	DRAWING NUMBER	REV
2-14-13	NEW DRAWING	BEO	NONE	M0000201	1



TOLERANCE: (UNLESS NOTED) 3 PLACE DECIMAL = ± 0.005 2 PLACE DECIMAL = ± 0.015 1 PLACE DECIMAL = ± 0.050 ALL DIMENSIONS IN INCHES. DRAWING NOT TO SCALE.		WARNING! CONFIDENTIAL INFORMATION -- PROPERTY OF ACI. UNAUTHORIZED USE STRICTLY FORBIDDEN.				ITEM NUMBER A/XX-D-X-PB	
DATE	DESCRIPTION	DRAWN BY	APPROVED BY			DRAWING NUMBER	REV
2-14-13	NEW DRAWING	BEO	NONE	M000201	1		