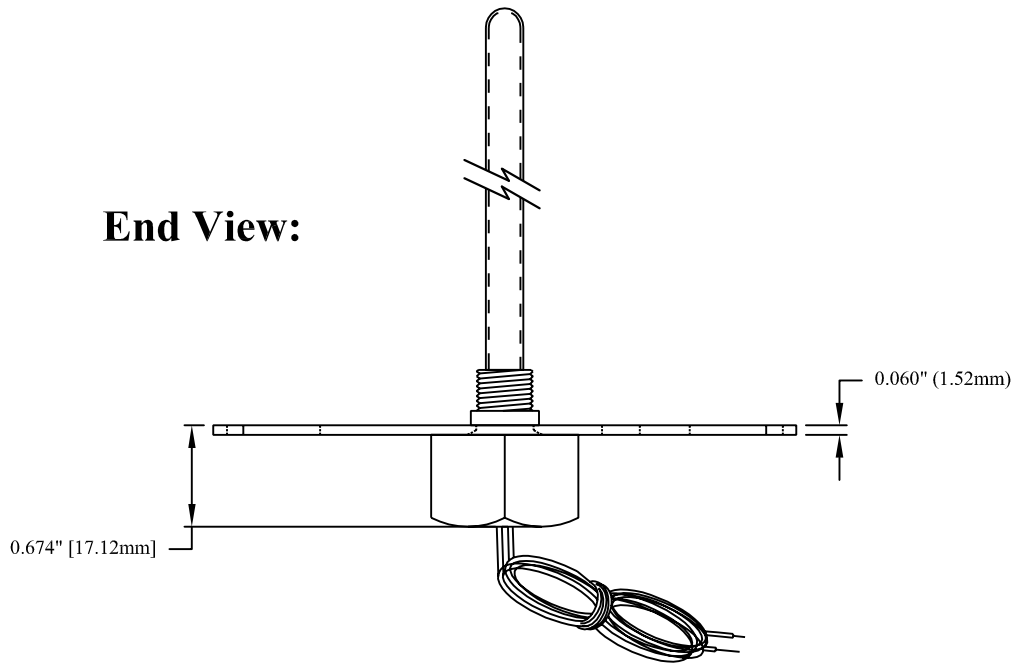
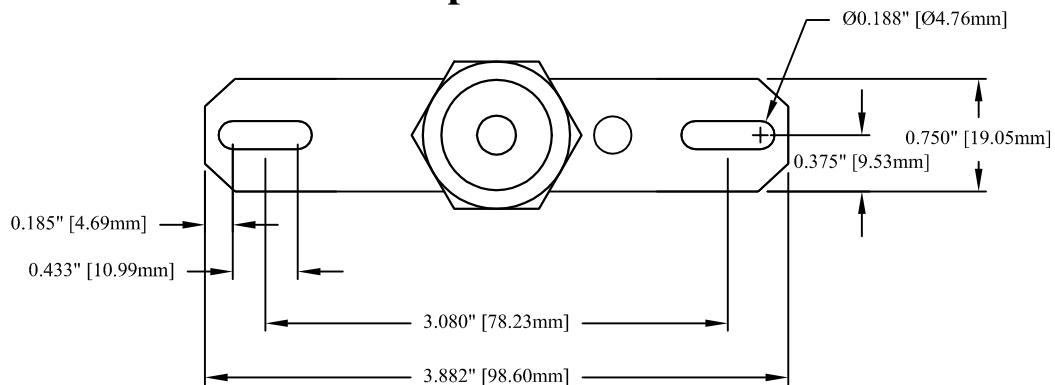


**End View:**



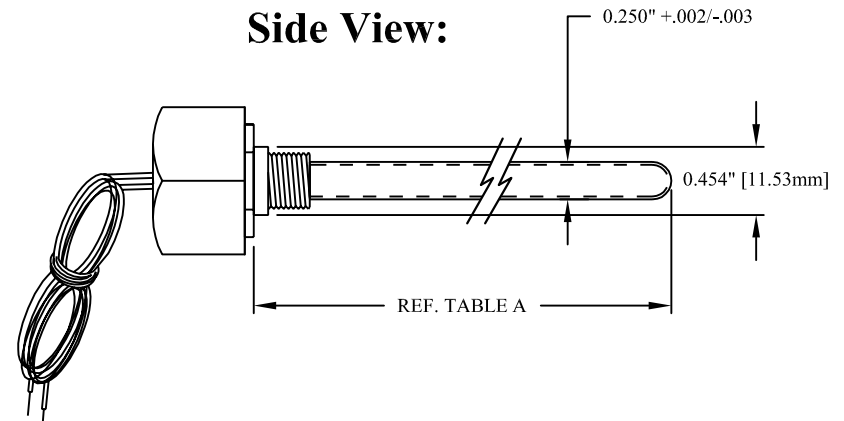
**Top View:**



**TABLE A**

Probe Length	Ref A (Insertion Length)
4"	3.88" ± 0.13"
6"	5.88" ± 0.13"
8"	7.88" ± 0.13"
12"	11.82" ± 0.25"
18"	17.82" ± 0.25"
24"	23.82" ± 0.25"

**Side View:**



<p>TOLERANCE: (UNLESS NOTED)          3 PLACE DECIMAL = ±0.010          2 PLACE DECIMAL = ±0.130          1 PLACE DECIMAL = ±0.300          ALL DIMENSIONS IN INCHES.          DRAWING NOT TO SCALE.</p>		<p><b>WARNING!</b>          CONFIDENTIAL          INFORMATION--          PROPERTY OF ACI.          UNAUTHORIZED USE          STRICTLY FORBIDDEN.</p>		<p><b>ACI</b>  <i>Automation Components, Inc.</i></p>		<p><b>DRAWING NUMBER</b>          M0000002</p>	
DATE	DESCRIPTION	DRAWN BY	APPROVED BY			DRAWING NUMBER	REV
3-14-08	DUCT TEMP. w/o BOX	DJK	TJD	M0000002	3		