

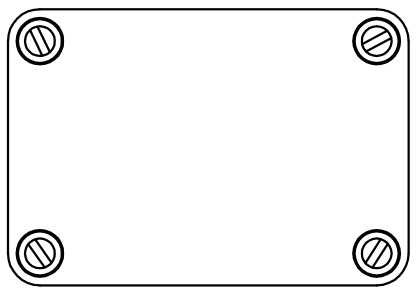
End View:

TABLE A

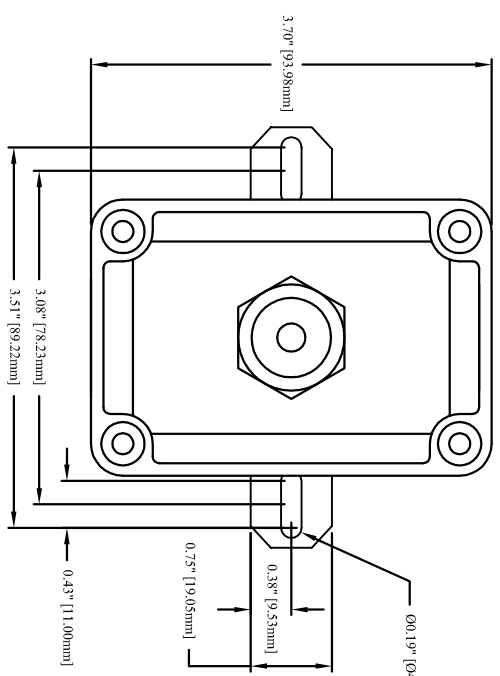
Part Number	Probe Length	Ref A (Insertion Length)
AXX-D-2"-4X	2"	1.44" ± 0.13"
AXX-D-4"-4X	4"	3.44" ± 0.13"
AXX-D-6"-4X	6"	5.44" ± 0.13"
AXX-D-8"-4X	8"	7.44" ± 0.13"
AXX-D-12"-4X	12"	11.44" ± 0.25"
AXX-D-18"-4X	18"	17.44" ± 0.25"

Note: "xx" = Sensor Type

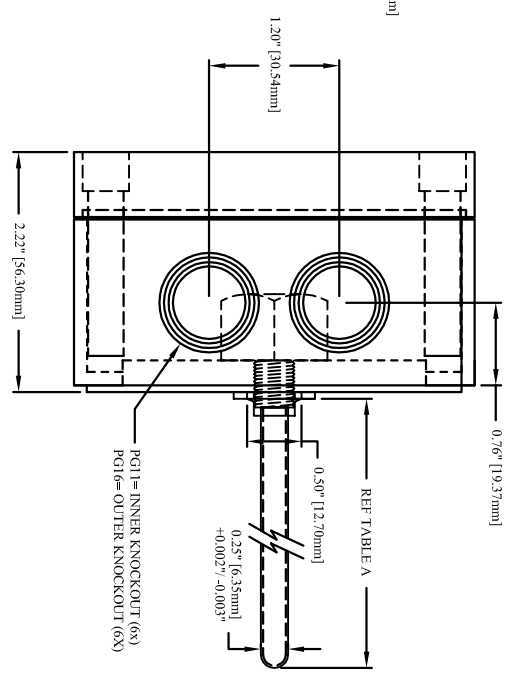
Cover:



Front View, No Cover:



Side View:



TOLERANCE: (UNLESS NOTED)

- 3 PLACE DECIMAL = ±0.010
- 2 PLACE DECIMAL = ±0.130
- 1 PLACE DECIMAL = ±0.300
- ALL DIMENSIONS IN In [mm].
- DRAWING NOT TO SCALE.

WARNING!

CONFIDENTIAL
 INFORMATION--
 PROPERTY OF ACI.
 UNAUTHORIZED USE
 STRICTLY FORBIDDEN.



DRAWING NUMBER
 M0000049

DATE	DESCRIPTION	DRAWN BY	APPROVED BY	DRAWING NUMBER	REV
02-12-13	DUCT TEMP w/ NEMA 4X BOX	TJD	TJD	M0000049	5