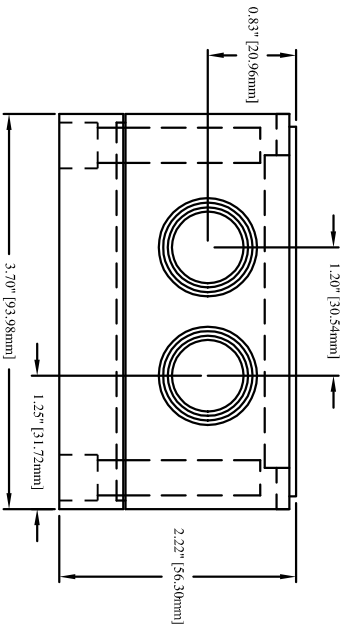
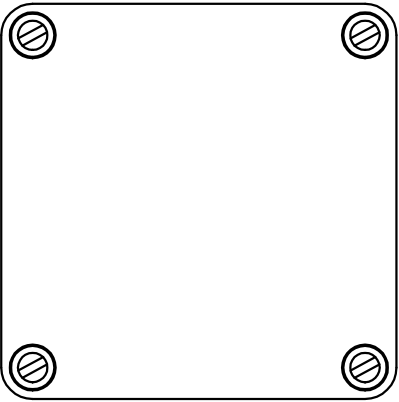


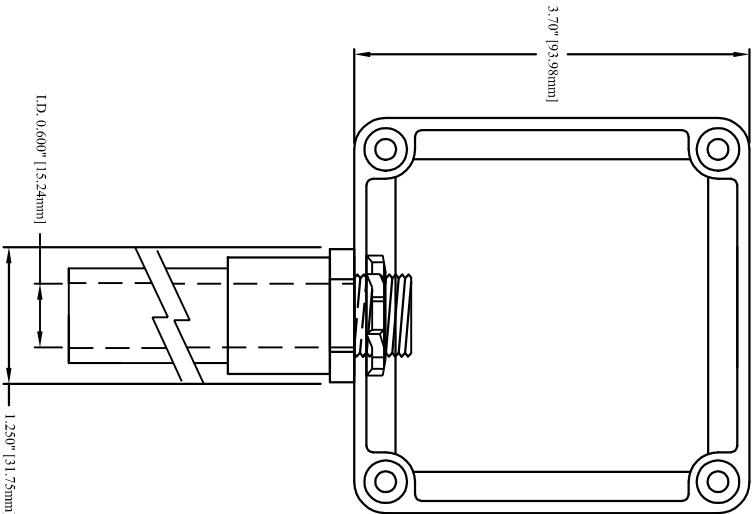
End View:



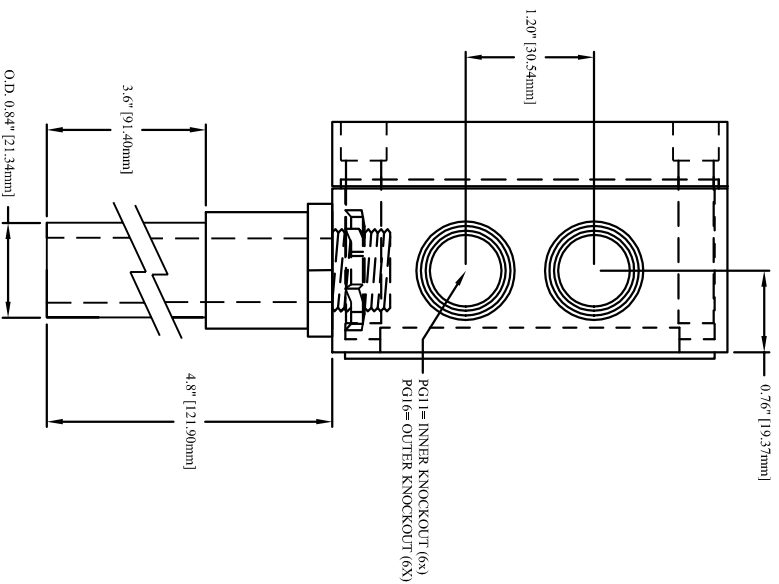
Cover:



Front View, No Cover:



Side View:



TOLERANCE: (UNLESS NOTED)

- 3 PLACE DECIMAL = ±0.010
- 2 PLACE DECIMAL = ±0.130
- 1 PLACE DECIMAL = ±0.300
- ALL DIMENSIONS IN in [mm].
- DRAWING NOT TO SCALE.

WARNING!

CONFIDENTIAL
 INFORMATION--
 PROPERTY OF ACT.
 UNAUTHORIZED USE
 STRICTLY FORBIDDEN.



DRAWING NUMBER
 M0000096

DATE	DESCRIPTION	DRAWN BY	APPROVED BY	DRAWING NUMBER	REV
2-20-08	OUTSIDE RH-TEMP Combo w/NEMA 4X 2 GANG BOX	DJK	TJD	M0000096	1