

ACI Part #	Insertion Length	Insertion Length Tolerance	Thermowell Material
A/M4"	4.00"	± 0.062"	304SS
A/M6"	6.25"	± 0.062"	304SS

TOLERANCE: (UNLESS NOTED)
 3 PLACE DECIMAL = ±0.010
 2 PLACE DECIMAL = ±0.130
 1 PLACE DECIMAL = ±0.300
 ALL DIMENSIONS IN inches [mm].
 DRAWING NOT TO SCALE.

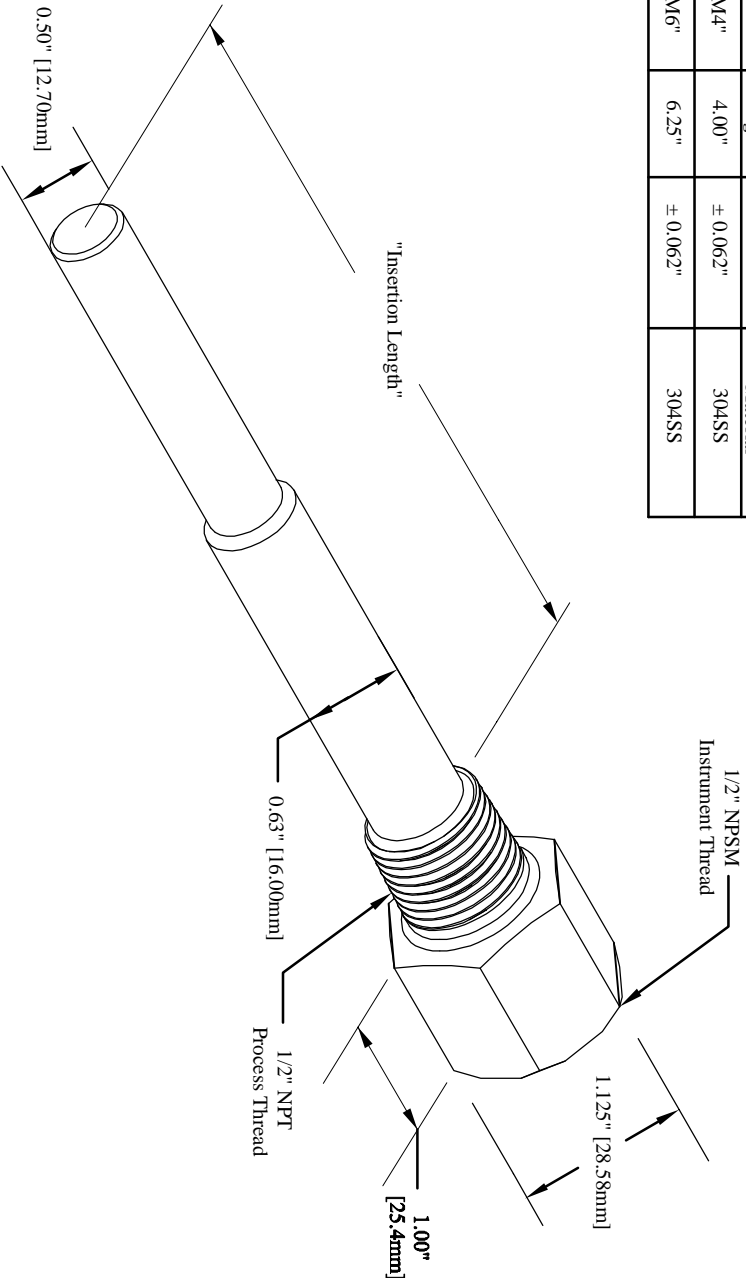
WARNING!
 CONFIDENTIAL INFORMATION-- PROPERTY OF ACI. UNAUTHORIZED USE STRICTLY FORBIDDEN.



DRAWING NUMBER
 M0000090

DATE	DESCRIPTION	DRAWN BY	APPROVED BY	DRAWING NUMBER	REV
11-05-11	Stepped Machined Thermowell	TJD	TJD	M0000090	2

ACI Part #	Insertion Length	Insertion Length Tolerance	Thermowell Material
A/M4"	4.00"	± 0.062"	304SS
A/M6"	6.25"	± 0.062"	304SS



TOLERANCE: (UNLESS NOTED)
 3 PLACE DECIMAL = ±0.010
 2 PLACE DECIMAL = ±0.130
 1 PLACE DECIMAL = ±0.300
 ALL DIMENSIONS IN inches [mm].
 DRAWING NOT TO SCALE.

WARNING!
 CONFIDENTIAL INFORMATION-- PROPERTY OF ACI. UNAUTHORIZED USE STRICTLY FORBIDDEN.



DRAWING NUMBER
 M00000090

DATE	DESCRIPTION	DRAWN BY	APPROVED BY	DRAWING NUMBER	REV
11-05-11	Stepped Machined Thermowell	TJD	TJD	M00000090	2