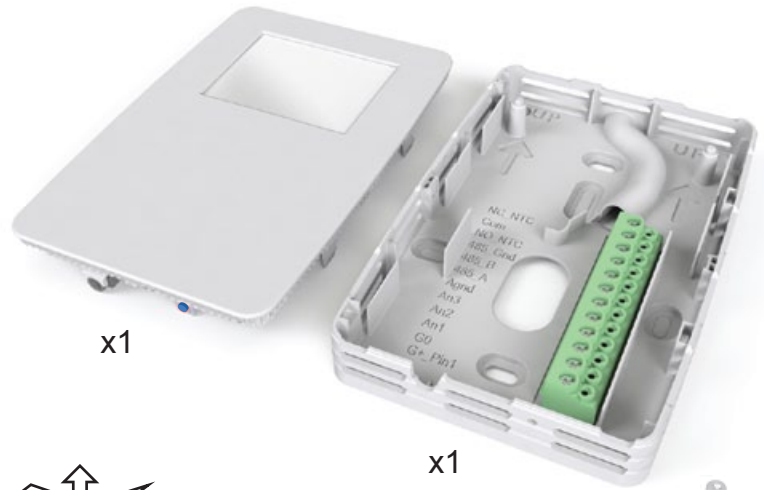


Installation manual

tSENSE (Disp) RH

CO₂-, temperature- and relative humidity transmitter



x1

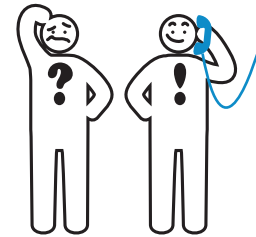
x1

x2

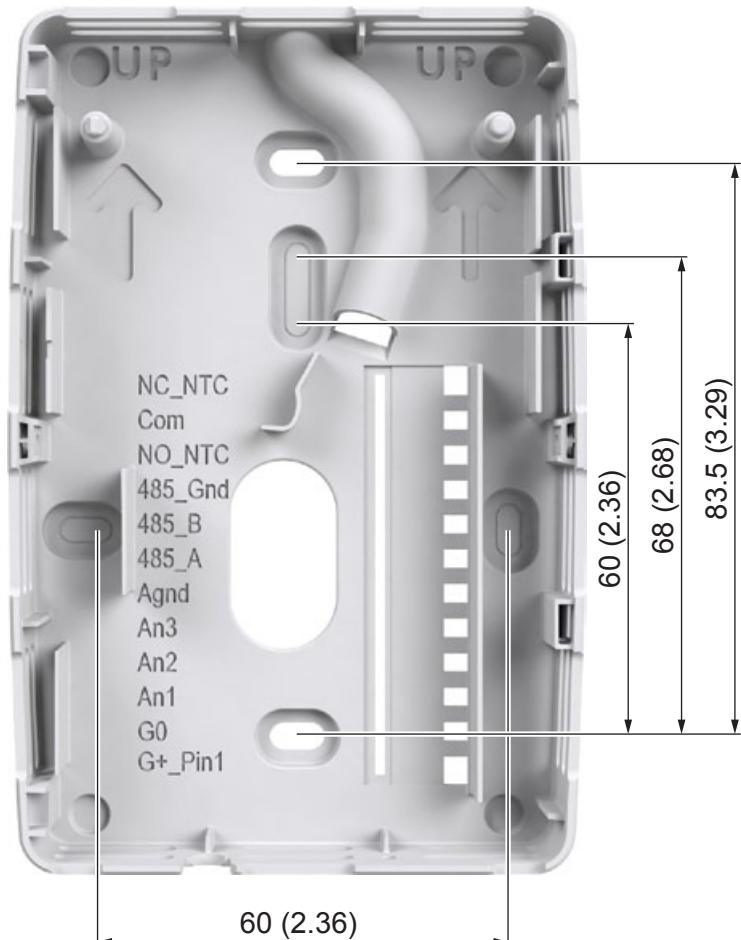


NOTE:

The same ground reference has to be used for the tSENSE unit and for the control system!



SenseAir
Local representative



mm
(inches)

1

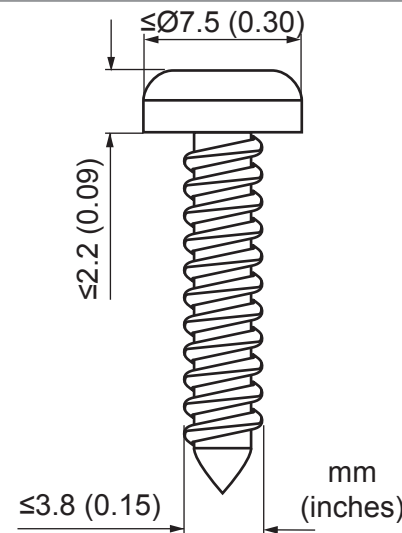
Alt. 1



Alt. 2

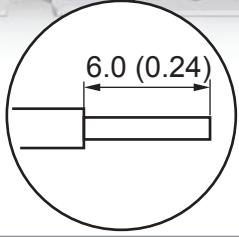


2



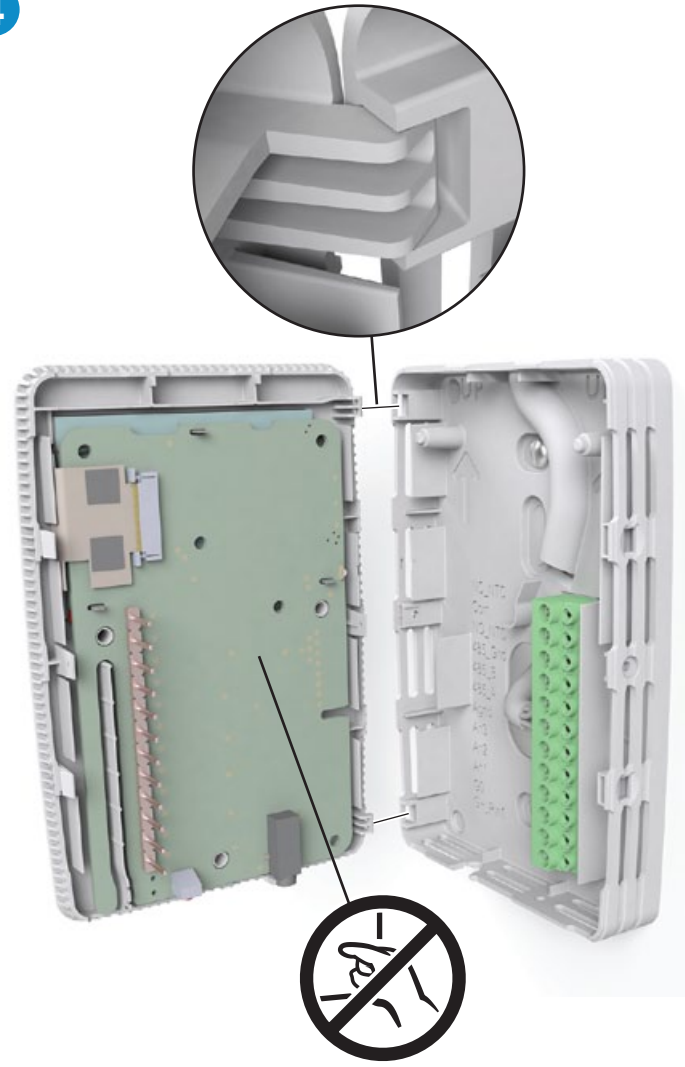
mm
(inches)

3

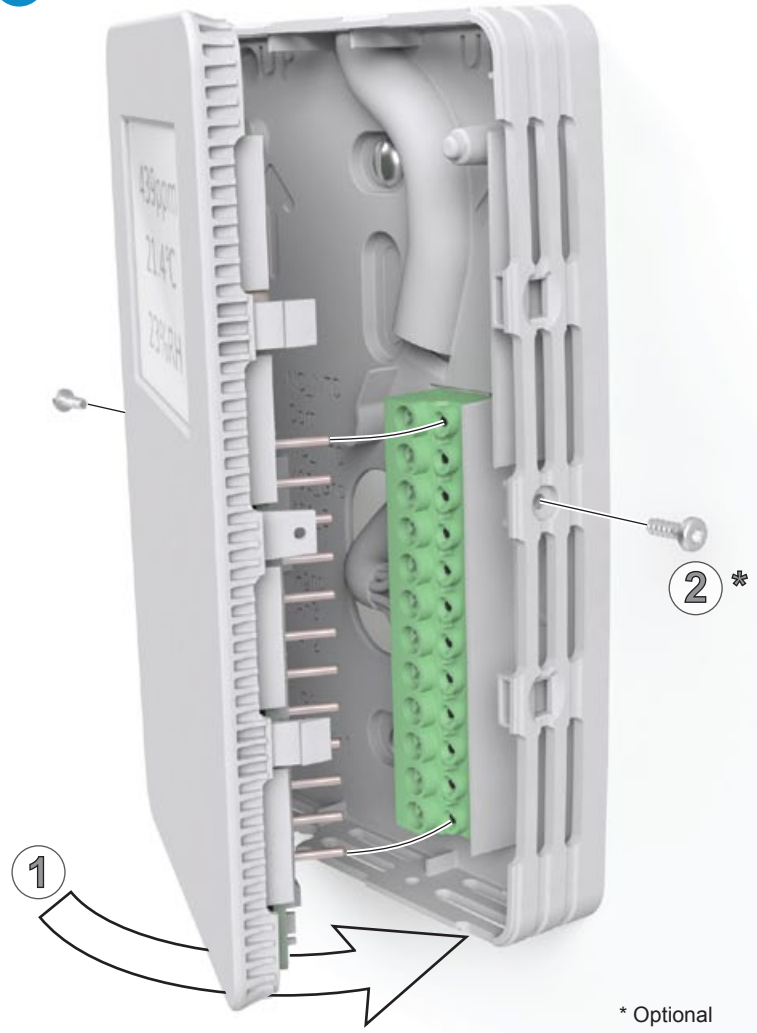


mm
(inches)

4

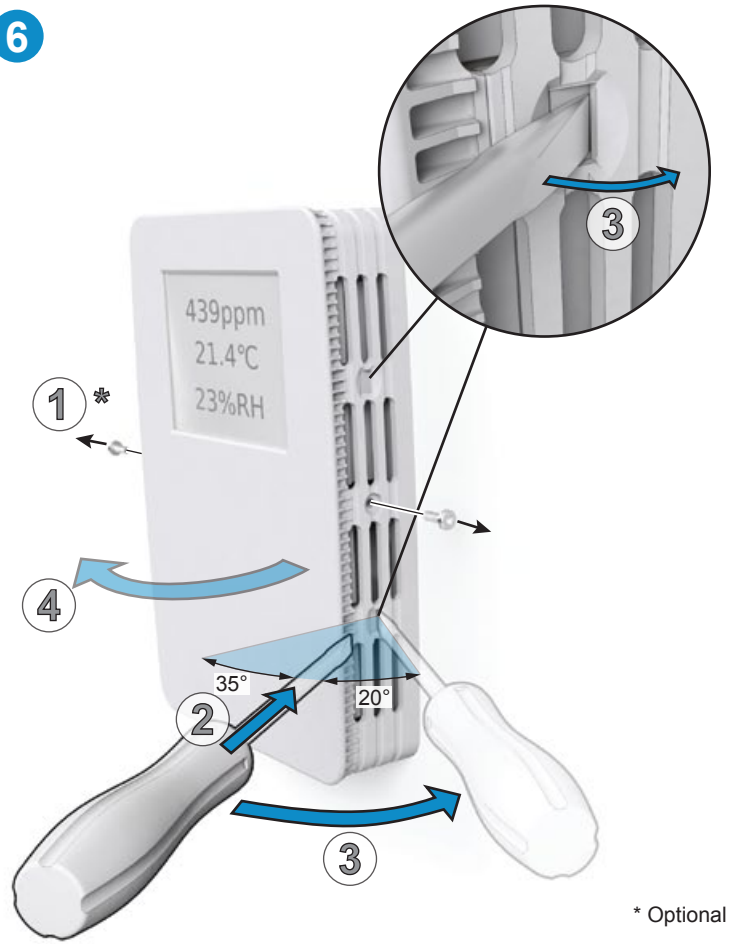


5



* Optional

6



* Optional

SenseAir AB (headquarter)
 Stationsgatan 12, Box 96, 820 60 Delsbo, Sweden
 Phone: +46-(0)653 – 71 77 70
www.senseair.com