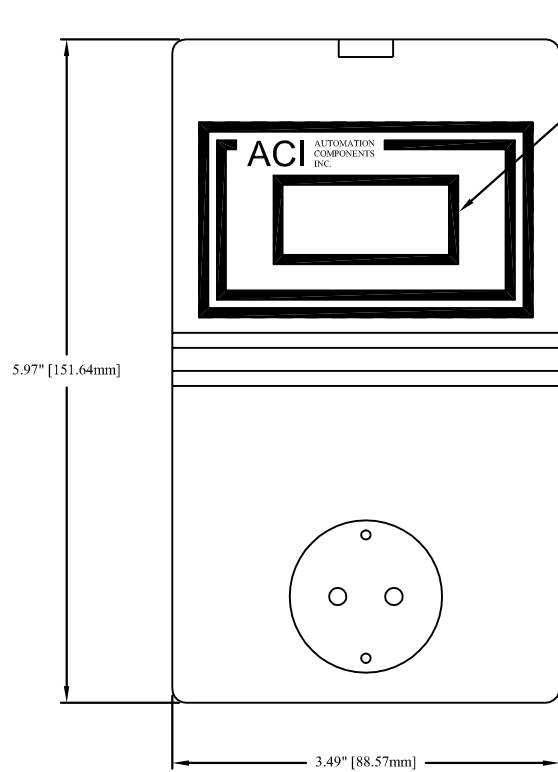
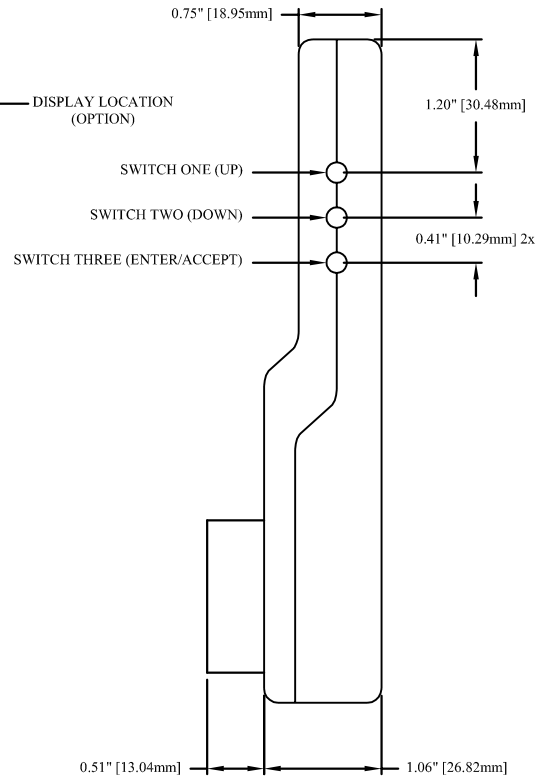


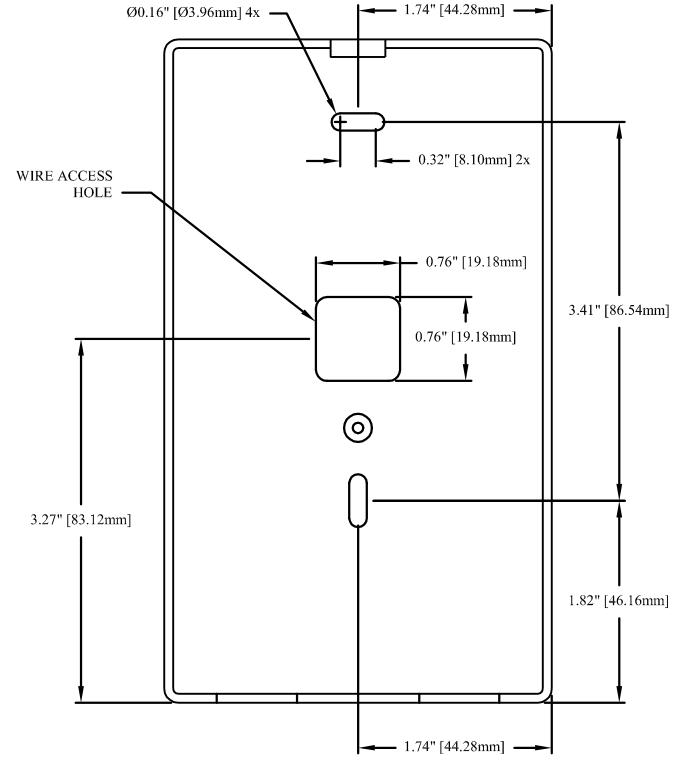
Front View:



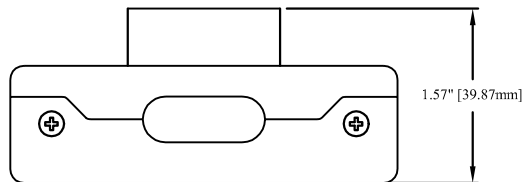
Right Side View:



Back Plate, Front View:



Bottom View:



TOLERANCE: (UNLESS NOTED)
 3 PLACE DECIMAL = ±0.010
 2 PLACE DECIMAL = ±0.130
 1 PLACE DECIMAL = ±0.300
 ALL DIMENSIONS IN INCHES.
 DRAWING NOT TO SCALE.

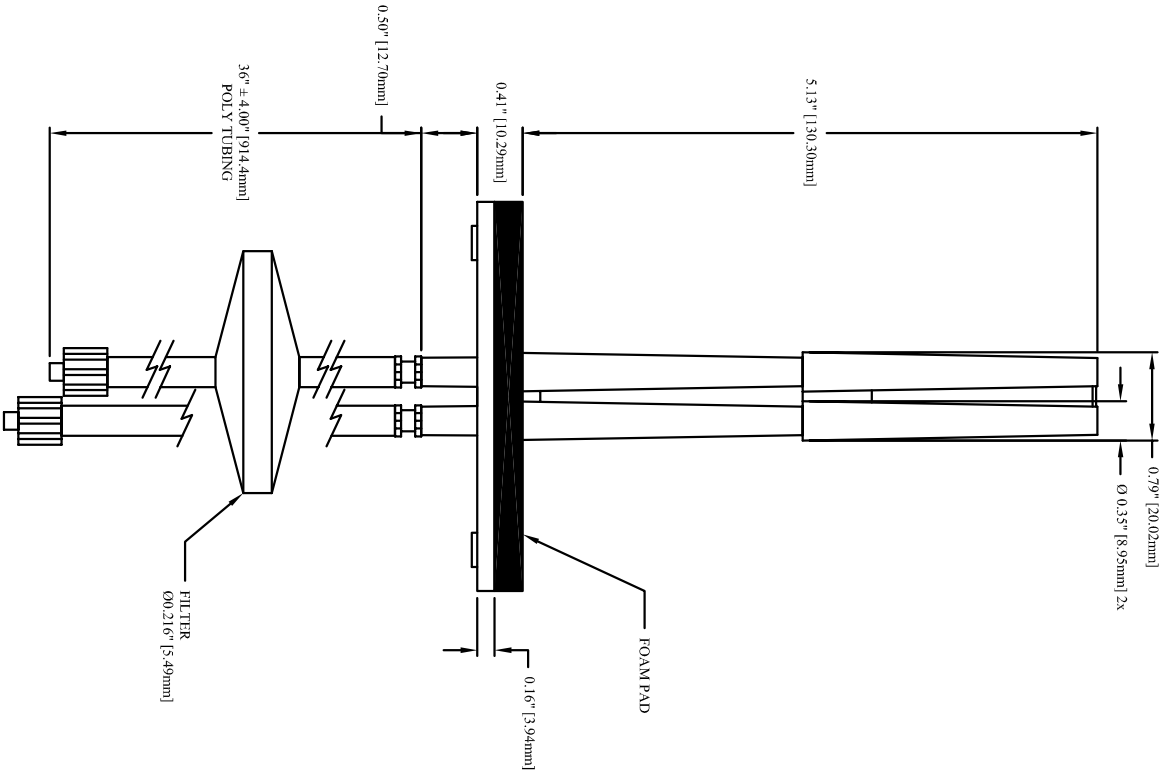
WARNING!
 CONFIDENTIAL
 INFORMATION--
 PROPERTY OF ACI.
 UNAUTHORIZED USE
 STRICTLY FORBIDDEN.



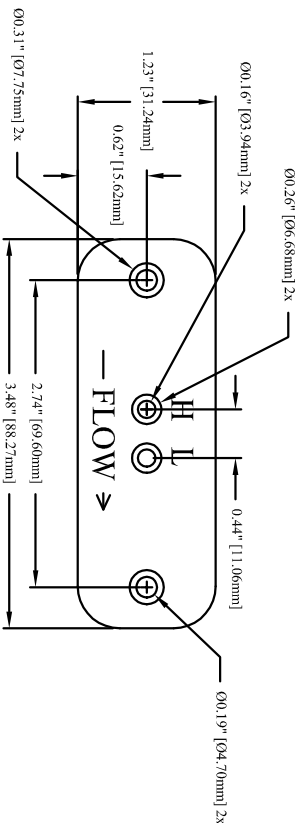
DRAWING NUMBER
 M0000117

DATE	DESCRIPTION	DRAWN BY	APPROVED BY	DRAWING NUMBER	REV
4-11-08	A/CO-D (CARBON MONOXIDE, DUCT, w/LCD or wo/LCD)	DJK	TJD	M0000117	1

Side View:



Top View:



TOLERANCE: (UNLESS NOTED)
 3 PLACE DECIMAL = ±0.010
 2 PLACE DECIMAL = ±0.130
 1 PLACE DECIMAL = ±0.300
 ALL DIMENSIONS IN INCHES.
 DRAWING NOT TO SCALE.

WARNING!
 CONFIDENTIAL
 INFORMATION--
 PROPERTY OF ACT.
 UNAUTHORIZED USE
 STRICTLY FORBIDDEN.



DRAWING NUMBER
 M0000117

DATE	DESCRIPTION	DRAWN BY	APPROVED BY	DRAWING NUMBER	REV
4-11-08	A/CO-D (CARBON MONOXIDE, DUCT, w/LCD or wo/LCD)	DJK	TJD	M0000117	1