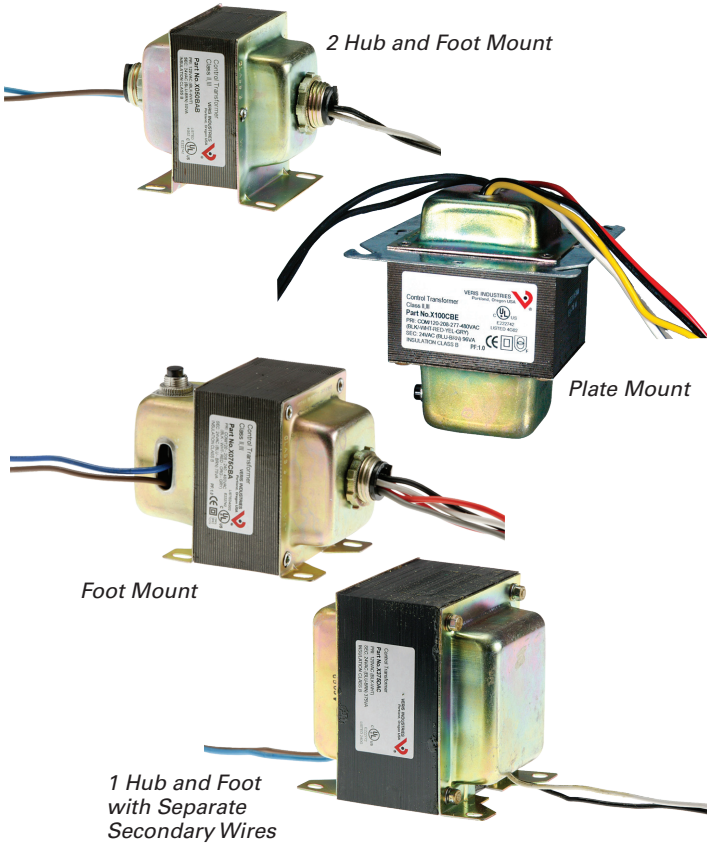


# Control Transformers

## X Series



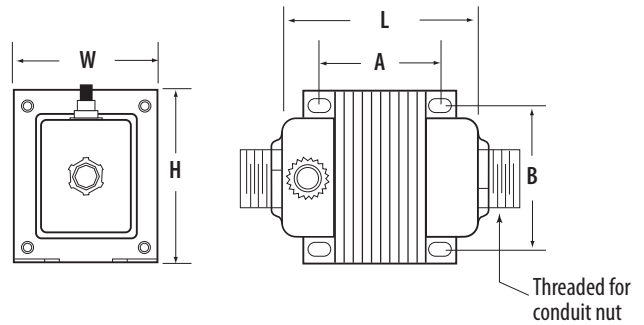
### SPECIFICATIONS



<b>Frequency</b>	50/60Hz
<b>Operating Temperature</b>	-40° to 65°C (-40° to 149°F)
<b>No Load Voltage</b>	27-28VAC
<b>Hub Style</b>	Fits 1/2" electrical k.o.
<b>Wire</b>	UL 1015, 18 AWG*
<b>Wire Length</b>	8 inches

\*X085AAA, X375DAC have 14AWG, Secondary wires

### DIMENSIONAL DRAWING



### FEATURES

- UL Listings for all models simplify panel building requirements
- Threaded hub options maximize installation flexibility
- One stop shopping...save time by ordering along with other Veris products

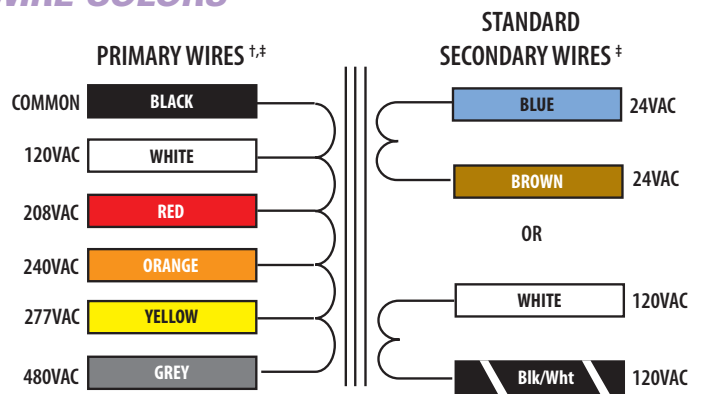
### DESCRIPTION

**Veris X Series** Control Transformers are a convenient source of control power for HVAC control and building automation applications. A wide variety of UL-listed transformers are available with single and dual threaded hub mounting options. Multiple current limiting options are available, including a circuit breaker in some models. Save ordering time and purchase order costs when buying other Veris sensors by including transformers in your order.

### APPLICATIONS

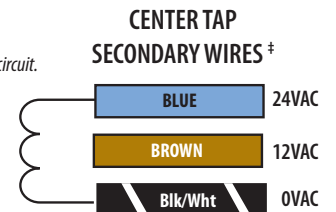
- Controller power
- Switching relays and other digital I/O circuits
- Powering sensors

### WIRE COLORS



† Primary of 24V isolation transformers = Red/Red

‡ Colors refer to the transformer wiring, not the external circuit.





ORDERING INFORMATION

MODEL	VA	PRIMARY VOLTAGE (VAC)	SECONDARY VOLTAGE (VAC)	CURRENT LIMITING METHOD	CLASS	MOUNTING	SEPARATED PRIMARY & SECONDARY WIRES	UL	CE	L	W	H	A	B
<b>STANDARD</b>														
X020AAA	20	120	24	Inherent	2	1HUB+FT		●	●	2.3	1.9	2.6	1.59	1.69
X020ACA		277		Inherent	2	1HUB+FT		●	●	2.3	1.9	2.6	1.59	1.69
X020ADA		24		Inherent	General	1HUB+FT		●	●	2.3	1.9	2.6	1.59	1.69
X020ADB		24		Inherent	General	2HUB+FT	●	●	●	2.3	1.9	2.6	1.59	1.69
X040AAA	40	120		Inherent	2	1HUB+FT		●	●	2.7	2.2	2.9	1.98	1.81
X040AAB		120		Inherent	2	2HUB+FT	●	●	●	2.7	2.2	2.9	1.98	1.81
X040ACA		277		Inherent	2	1HUB+FT		●	●	2.7	2.2	2.9	1.98	1.81
X040ADA		24		Inherent	2	1HUB+FT		●	●	2.7	2.2	2.9	1.98	1.81
X040AMB		120/208/240/277		Fuse	2	2HUB+FT	●	●	●	2.7	2.2	2.9	1.98	1.81
X040BNA		120/208/240		Fuse	2	1HUB+FT		●	●	2.7	2.2	2.9	1.98	1.81
X040BPC	24	12/24		Fuse	2	Foot	●	●	●	2.7	2.2	2.9	1.98	1.81
X050BAA	50	120		24	Fuse	2	1HUB+FT		●	●	2.8	2.2	2.9	2.06
X050BAB		120	Fuse		2	2HUB+FT	●	●	●	2.8	2.2	2.9	2.06	1.81
X050BCA		277	Fuse		2	1HUB+FT		●	●	2.8	2.2	2.9	2.06	1.81
X050BCB		277	Fuse		2	2HUB+FT	●	●	●	2.8	2.2	2.9	2.06	1.81
X050BGB		208/240	Fuse		2	2HUB+FT	●	●	●	2.8	2.2	2.9	2.06	1.81
X050CAA		120	Circuit Breaker		2	1HUB+FT		●	●	3.5	2.5	3.1	1.91	2.03
X050CBA		120/240/277/480	Circuit Breaker		2	1HUB+FT		●	●	3.5	2.5	3.1	1.91	2.03
X050CBB		120/240/277/480	Circuit Breaker		2	2HUB+FT	●	●	●	3.5	2.5	3.1	1.91	2.03
X050CCA		277	Circuit Breaker		2	1HUB+FT		●	●	3.5	2.5	3.1	1.91	2.03
X050CEB		208/240/277/480	Circuit Breaker		General	2HUB+FT	●	●	●	3.5	2.5	3.1	1.91	2.03
X050CEG		208/240/277/480	Circuit Breaker		General	Plate, 90° Sec Elbow	●	●	●	3.5	4.0	4.0	3.38	3.38
X050CGG		208/240	Circuit Breaker		2	Plate, 90° Sec Elbow	●	●	●	4.0	4.0	4.0	3.38	3.38
X050CHA	120/208/240/480	Circuit Breaker	2	1HUB+FT		●	●	3.5	2.5	3.1	1.91	2.03		
X050CHB	120/208/240/480	Circuit Breaker	2	2HUB+FT	●	●	●	3.5	2.5	3.1	1.91	2.03		
X050CNA	120/208/240	Circuit Breaker	2	1HUB+FT		●	●	3.5	2.5	3.1	1.91	2.03		
X050CNB	120/208/240	Circuit Breaker	2	2HUB+FT	●	●	●	3.5	2.5	3.1	1.91	2.03		
X050COA	120/208/240/277/480	Circuit Breaker	2	1HUB+FT		●	●	3.5	2.5	3.1	1.91	2.03		
X050COB	120/208/240/277/480	Circuit Breaker	2	2HUB+FT	●	●	●	4.3	2.5	3.1	2.70	2.00		
X050DLB	220	None	2	2HUB+FT	●	●	●	2.8	2.2	2.9	2.06	1.81		
X075CAA	75	120	24	Circuit Breaker	2	1HUB+FT		●	●	3.9	2.5	3.1	2.31	2.03
X075CAB		120		Circuit Breaker	2	2HUB+FT	●	●	●	3.9	2.5	3.1	2.31	2.03
X075CBA		120/240/277/480		Circuit Breaker	2	1HUB+FT		●	●	3.9	2.5	3.1	2.31	2.03
X075CCA		277		Circuit Breaker	2	1HUB+FT		●	●	3.9	2.5	3.1	2.31	2.03
X075CHA		120/208/240/480		Circuit Breaker	2	1HUB+FT		●	●	3.9	2.5	3.1	2.31	2.03
X075CHD		120/208/240/480		Circuit Breaker	2	1HUB+FT	●	●	●	3.9	2.5	3.1	2.31	2.03
X085AAA	85	120	Inherent	General	1HUB+FT		●	●	3.2	3.8	3.2	2.2	3.14	
X100CAA	99	120	120	Circuit Breaker	2	1HUB+FT		●	●	4.1	2.5	3.1	2.51	2.03
X100CAB		120		Circuit Breaker	2	2HUB+FT	●	●	●	4.1	2.5	3.1	2.51	2.03
X100CBA		120/240/277/480		Circuit Breaker	2	1HUB+FT		●	●	4.3	2.5	3.1	2.70	2.03
X100CBB		120/240/277/480		Circuit Breaker	2	2HUB+FT	●	●	●	4.3	2.5	3.1	2.70	2.03
X100CBE		120/208/277/480		Circuit Breaker	2	Plate		●	●	4.3	4.0	4.0	3.38	3.38
X100CHB		120/208/240/480		Circuit Breaker	2	2HUB+FT	●	●	●	4.3	2.5	3.1	2.70	2.03
X100CKB		480		Circuit Breaker	General	2HUB+FT	●	●	●	4.1	2.5	3.1	2.51	2.03
X100CLB	220	Circuit Breaker	2	2HUB+FT	●	●	●	4.1	2.5	3.1	2.51	2.03		
X150CAA	150	120	24	Circuit Breaker	General	1HUB+FT		●	●	3.5	3.8	3.2	2.08	3.26
X175BAB		120		Fuse	General	2HUB+FT	●	●	●	4.1	3.8	3.2	3.19	3.14
X175BLB		220		Fuse	General	Foot	●	●	●	3.8	3.8	3.2	3.05	3.14
X175CAB		120		Circuit Breaker	General	2HUB+FT	●	●	●	4.1	3.8	3.2	3.19	3.14
X175CLB		220		Circuit Breaker	General	Foot	●	●	●	3.8	3.8	3.2	3.05	3.14
X175DGC		208/240		None	General	Foot	●	●	●	4.1	3.8	3.2	3.19	3.14
X240DAA		240		120	None	General	1HUB+FT	●	●	●	3.7	3.8	4.5	3.24
X375DAC	375	120	None	General	Foot	●	●	●	4.3	3.8	4.5	3.83	3.18	
<b>CENTER TAP</b>														
X020APC	20	24	12/24	Inherent	2	Foot	●	●	2.3	1.9	2.6	1.59	1.69	
X020AQC		120/208/240		Inherent	2	Foot	●	●	●	2.3	1.9	2.6	1.59	1.69
X040BPC	40	24		Fuse	2	Foot	●	●	2.7	2.2	2.9	1.98	1.81	
X040BQC		120/208/240		Fuse	2	Foot	●	●	●	2.7	2.2	2.9	1.98	1.81
X050CIA	50	120		Circuit Breaker	2	1HUB+FT	●	●	●	2.8	2.2	2.9	2.06	1.81
X100CRC	100	120/240		Circuit Breaker	2	1HUB+FT	●	●	●	4.3	2.5	3.1	2.70	2.03
X100CSC				16/32	Circuit Breaker	2	1HUB+FT	●	●	●	4.3	2.5	3.1	2.70