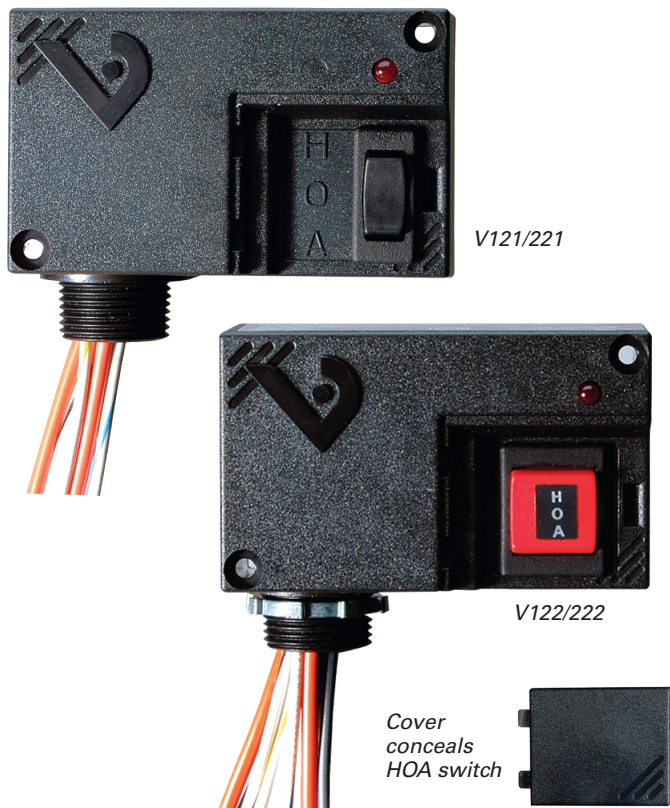


# Enclosed Victory Relays: 20A SPST, with HOA Switch

## Victory 121, 122, & 123 Series



### SPECIFICATIONS

Operating Temp Range	-40° to 60°C (-40° to 131°F)
Operating Humidity Range	10-90% RH non-condensing
Expected Relay Life	Electrical (@ rated current) 100,000 cycles; Mechanical (unpowered) 10,000,000 cycles
Relay Status	LED ON=energized
Insulation Class	277VAC RMS
Agency Approvals	UL 508
<b>WIRE SPECIFICATIONS</b>	
Lead Length	14" (356 mm) min.
Gauge	UL1015; Coil: 18 AWG; Contacts: 12 AWG; HOA monitor wires: 16 AWG
<b>V122/V222 RESISTIVE MONITOR MAXIMUMS</b>	
Voltage Max.	13.4VAC/DC
Current Max.	4mA AC/DC
<b>V123/V223 DIGITAL MONITOR MAXIMUMS</b>	
Dry Circuit Contact Rating (Max.)	24VAC/DC@100mA

TYPICAL COIL PERFORMANCE		
Voltage	Coil Current	
	AC	DC
24V.....	75mA	32mA
120V.....	42mA	-
208V.....	36mA	-
277V.....	49mA	-

CONTACT RATINGS	
<b>V121, V221</b>	
Resistive.....	20A@240VAC 8A@28VDC 14A@14VDC
Motor.....	1HP@120VAC
<b>V122, V123, V222, V223</b>	
Resistive.....	20A@240VAC 8A@28VDC 14A@14VDC
Motor.....	1HP@250VAC

### HOA Switch Provides Local Control

#### FEATURES

- Sleek field enclosure reduces the need for panel space
- The nipple mount feature allows the V121 Series to be mounted to any electrical enclosure easing installation
- Flexible tinned stranded wire...fits easily in tight spaces and provides secure connections to wire nuts
- UL508 Listed...designed and approved for field installation... makes electrical inspection a snap
- Products include a cover that conceals and protects the HOA switch, reducing the likelihood of tampering
- Limit costly control system override & service calls
- The switch position monitors available with the V122/V222 & V123/V223 models allow the control system to notify building operating personnel when a load is inadvertently left ON or OFF

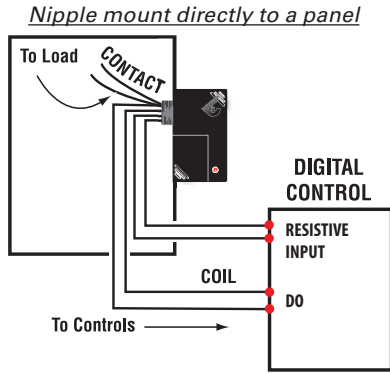
#### DESCRIPTION

The **Victory 121, 122, and 123 Series** HOA relays have a concealed HOA switch for local control and troubleshooting with limited unauthorized switch manipulation. To further guard against control system override, the V122/V222 and V123/V223 are equipped with a monitored HOA. The V122/V222 provides a two-wire resistive output and the V123/V223 offers a three-wire digital monitor. Now you can enjoy the convenience of local control with none of the drawbacks.

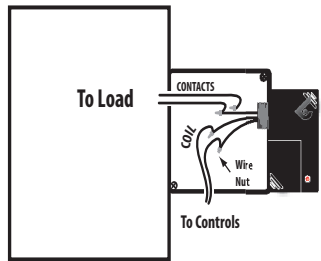
#### APPLICATIONS

- Command contactors
- Control motors
- Isolation
- Device interlocking
- Relay logic
- Sense voltages for alarm conditions

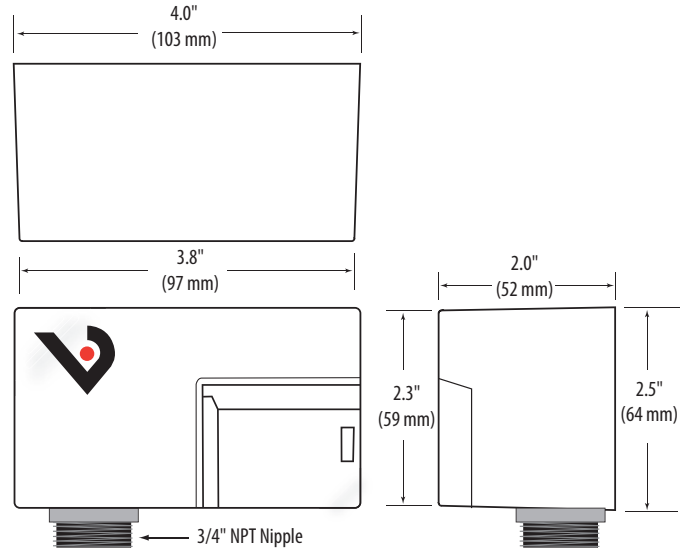
**WIRING DIAGRAM**



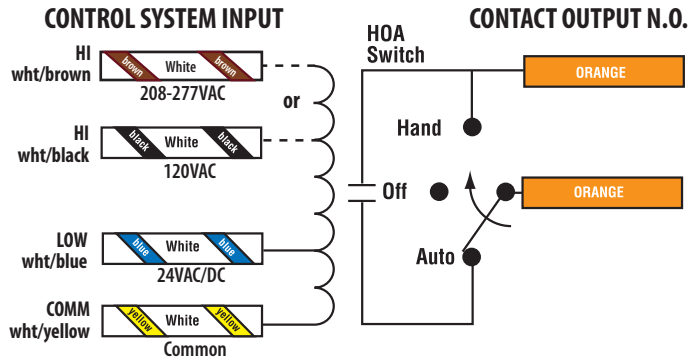
*Nipple mount to any 2x or 4x electrical box*



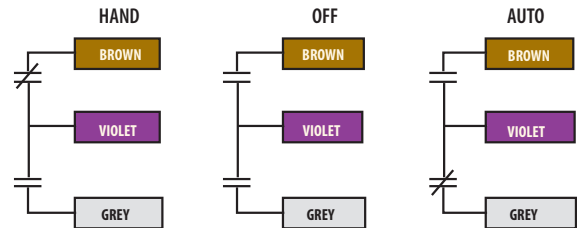
**DIMENSIONAL DRAWING**



**WIRE COLOR CODES**

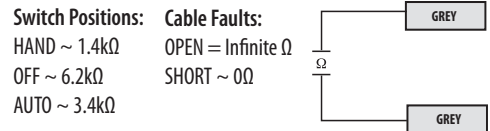


*V123/V223 Digital HOA Position Monitor*



Switch Positions:  
 HAND = Brown wire closed to Common  
 OFF = Both wires open to Common  
 AUTO = Grey wire closed to Common  
 VIOLET = Common

*V122/V222 Resistive HOA Position Monitor*



Switch Positions:  
 HAND ~ 1.4kΩ  
 OFF ~ 6.2kΩ  
 AUTO ~ 3.4kΩ  
 Cable Faults:  
 OPEN = Infinite Ω  
 SHORT ~ 0Ω



**ORDERING INFORMATION**

MODEL	RELAY	COIL	AMPERAGE RATING	HOA	HOA MONITOR	RELAY POWER LED	UL
V121	SPST, N.O.	24VAC/DC, 120VAC	20A	●	None	●	●
V122		24VAC/DC, 120VAC		●	Resistive	●	●
V123		24VAC/DC, 120VAC		●	Digital	●	●
V221		24VAC/DC, 208-277VAC		●	None	●	●
V222		24VAC/DC, 208-277VAC		●	Resistive	●	●
V223		24VAC/DC, 208-277VAC		●	Digital	●	●

Some devices are plenum rated per UL 1995...see White Paper VWP01 at veris.com for details