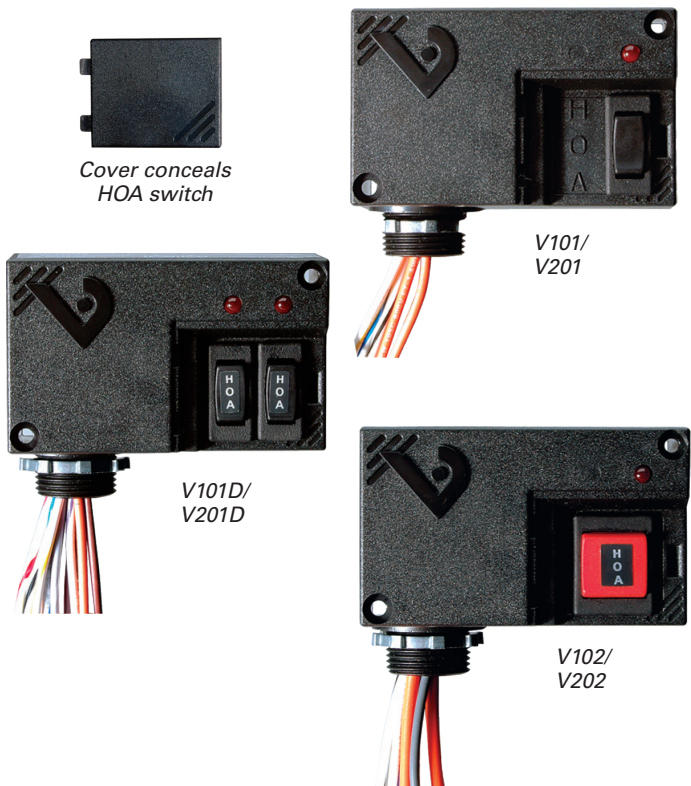


# Enclosed Victory Relays: 10A SPST, with HOA Switches

## Victory 101, 102, & 103 Series



### SPECIFICATIONS

Operating Temp Range	-40° to 55°C (-40° to 131°F)
Operating Humidity Range	10-90% RH non-condensing
Expected Relay Life	Electrical (@ rated current) 100,000 cycles; Mechanical (unpowered) 10,000,000 cycles
Relay Status	LED ON=energized
Insulation Class	600VAC RMS
Agency Approvals	UL 508
<b>WIRE SPECIFICATIONS</b>	
Lead Length	14" (356 mm) min.
Gauge	UL1015; Coil: 18 AWG; Contacts: 16 AWG; HOA monitor wires: 16 AWG
<b>V102/V202 RESISTIVE MONITOR MAXIMUMS</b>	
Voltage Max.	13.4VAC/DC
Current Max.	4mA AC/DC
<b>V103/203 DIGITAL MONITOR MAXIMUMS</b>	
Dry Circuit Contact Rating (Max.)	24VAC/DC@100mA

### Relays With HOA Switches For Local Control

#### FEATURES

- Sleek field enclosure reduces the need for panel space
- The nipple mount feature allows the Victory series to be mounted to any electrical enclosure easing installation
- Flexible tinned stranded wire...fits easily in tight spaces and provides secure connections to wire nuts
- UL508 Listed...designed and approved for field installation... makes electrical inspection a snap
- Concealed HOA switch reduces the likelihood of tampering
- Reduce costly control system override and service calls
- The HOA monitors (available with the V102/V202 & V103/V203 models) allow the control system to notify building operating personnel when a load is inadvertently left in ON or OFF position.

#### DESCRIPTION

With a concealed HOA switch for local control and troubleshooting, the **Victory 101, 102, and 103 Series** relays provide HOA flexibility while limiting unauthorized switch manipulation. To further guard against control system override, some relays are equipped with a monitored HOA. The V102/V202 provide a two-wire resistive output and the V103/V203 offer a three-wire digital monitor. Now your customers and technicians can enjoy the benefit of local control without the problems often caused by override.

TYPICAL COIL PERFORMANCE			
Pull in Voltage	AC	DC	
	10-30V.....	8	9
	120V.....	78	
	208-277V.....	154	
Drop Out Voltage	AC	DC	
	10-30V.....	2	3
	120V.....	18	
	208-277V.....	36	
Voltage	Coil Current		
	AC	DC	
10V.....	25mA	14mA	
24V.....	31mA	16mA	
30V.....	39mA	18mA	
120V.....	22mA	-	
208V.....	19mA	-	
277V.....	25mA	-	

CONTACT RATINGS	
<b>V101, V201, V101D*, V201D*</b>	
Resistive.....	10A@250VAC
Motor.....	1/3HP@120VAC
Gold Flash.....	Yes
<b>V102, V103, V202, V203</b>	
Resistive.....	10A@277VAC
Motor.....	1/3HP@240VAC
Gold Flash.....	Yes

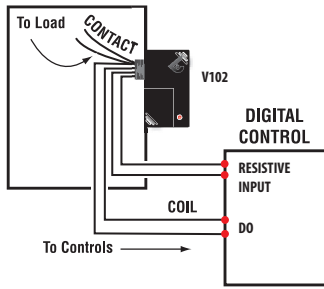
\*each relay

#### APPLICATIONS

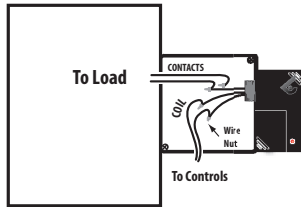
- Command contactors
- Control motors
- Isolation
- Device interlocking
- Relay logic
- Sense voltages for alarm conditions

**WIRING DIAGRAM**

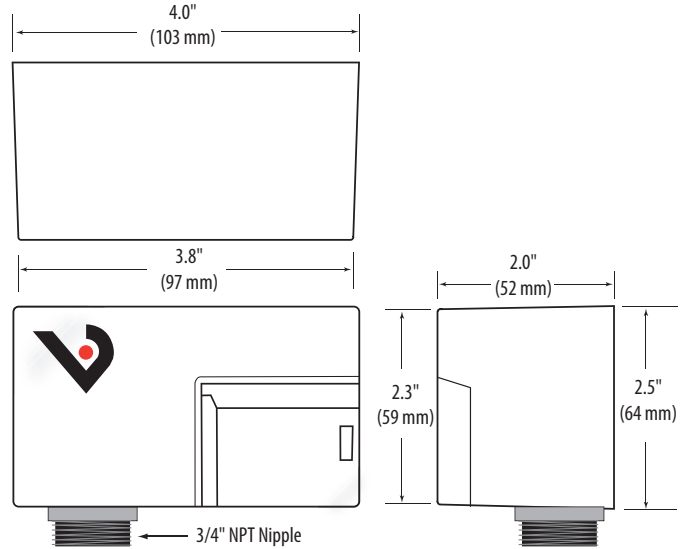
*Nipple mount directly to a panel*



*Nipple mount to any 2x or 4x electrical box*



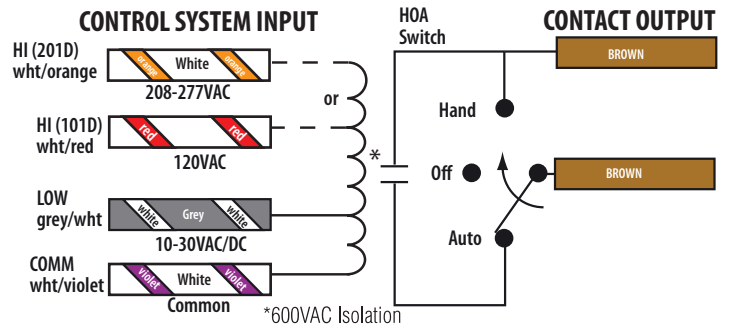
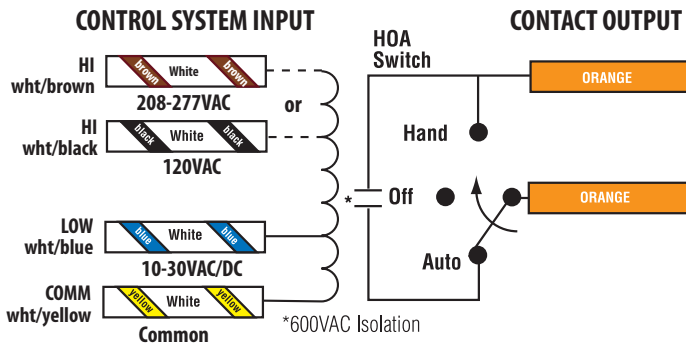
**DIMENSIONAL DRAWING**



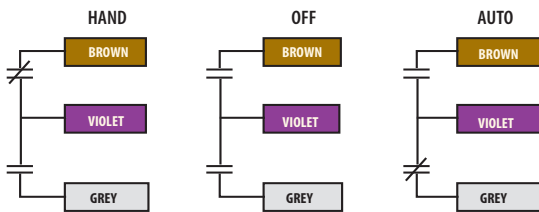
**WIRE COLOR CODES**

*Primary*

*Relay #2 for V101D/V201D only*

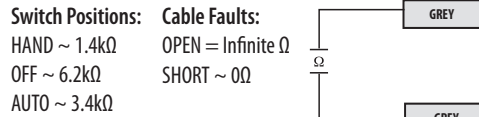


*V103/203 Digital HOA Position Monitor*



Switch Positions:  
 HAND = Brown wire closed to Common  
 OFF = Both wires open to Common  
 AUTO = Grey wire closed to Common  
 VIOLET = Common

*V102/202 Resistive HOA Position Monitor*



**ORDERING INFORMATION**



MODEL	RELAY	COIL	AMPERAGE RATING	HOA	HOA MONITOR	RELAY POWER LED	UL
V101	SPST, N.O.	10-30VAC/DC, 120VAC	10A	●	None	●	●
V101D	2x SPST, N.O.	10-30VAC/DC, 120VAC		●	None	●	●
V102	SPST, N.O.	10-30VAC/DC, 120VAC		●	Resistive	●	●
V103	SPST, N.O.	10-30VAC/DC, 120VAC		●	Digital	●	●
V201	SPST, N.O.	10-30VAC/DC, 208-277VAC		●	None	●	●
V201D	2x SPST, N.O.	10-30VAC/DC, 208-277VAC		●	None	●	●
V202	SPST, N.O.	10-30VAC/DC, 208-277VAC		●	Resistive	●	●
V203	SPST, N.O.	10-30VAC/DC, 208-277VAC		●	Digital	●	●

Some devices are plenum rated per UL 1995...see White Paper VWP01 at veris.com for details