

VST120(-4), VST121(-4) VST120(-4), VST121(-4)

Track Mount 20 Amp SPDT Relay



Installer's Specifications

Operating Temperature	0° to 60°C (32° to 140°F)
Operating Humidity	10-90% RH, non-condensing
Relay Status	LED ON=energized
Auxiliary Supply for HOA	24VAC/DC (supplied from a Class 2 or LVLE source)*
Expected Relay Life	Electrical (@ rated current) 100,000 cycles; Mechanical (unpowered) 10,000,000 cycles
Terminal Block Torque	0.5 to 3.5 in-lb (0.68 to 4.75 N-m)
Insulation Class	600VAC RMS (coil to contact); 120VAC RMS (terminal to surface)
Agency Approvals	UL508 open device listing; Installation Category III, pollution degree 2

*Class 2 source: A source that provides a Class 2 power supply as defined by the NEC, NFPA70.
LVLE: Low voltage limited energy, not capable of providing more than 30VAC/42.4VDC, 8A or 100VA



HAZARD OF ELECTRIC SHOCK, EXPLOSION, OR ARC FLASH

- Follow safe electrical work practices. See NFPA 70E in the USA, or applicable local codes.
- This equipment must only be installed and serviced by qualified electrical personnel.
- Read, understand and follow the instructions before installing this product.
- Turn off all power supplying equipment before working on or inside the equipment.
- Use a properly rated voltage sensing device to confirm power is off.
DO NOT DEPEND ON THIS PRODUCT FOR VOLTAGE INDICATION

Failure to follow these instructions will result in death or serious injury.

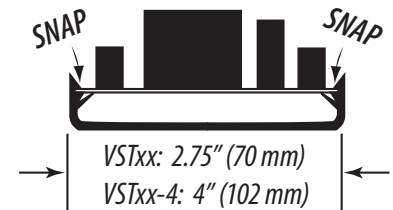
NOTICE

- This product is not intended for life or safety applications.
- Do not install this product in hazardous or classified locations.
- The installer is responsible for conformance to all applicable codes.
- Mount this product inside a suitable fire and electrical enclosure.

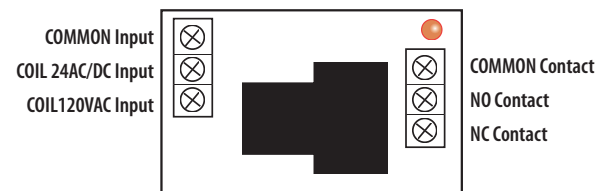
INSTALLATION

Disconnect and lock out all power sources before beginning the installation.

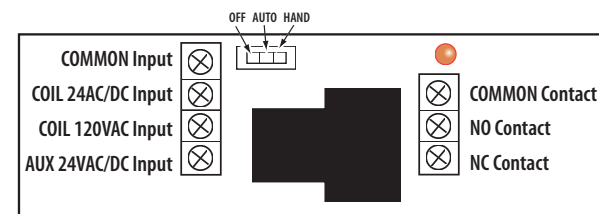
1. Snap the VST into a mounted track of the appropriate size.



2. Connect the coil wires as shown. Use either 24 VAC/DC for the Auto Low Voltage input or 120 VAC for the Auto High Voltage input. Do not use both the Auto Low Voltage and Auto High Voltage inputs at the same time.



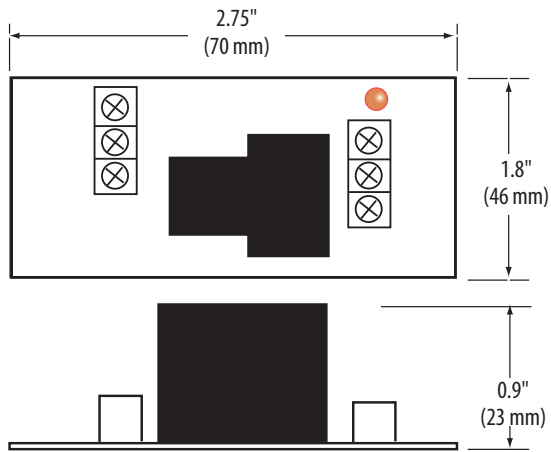
3. Connect the contact terminals to the load(s), as required.
4. If using a VST121 or VST121-4, set the HOA switch to the correct position for your application, Hand, Auto or Off. If using the Hand position, connect 24 VAC/DC to the AUX terminal to power the device.



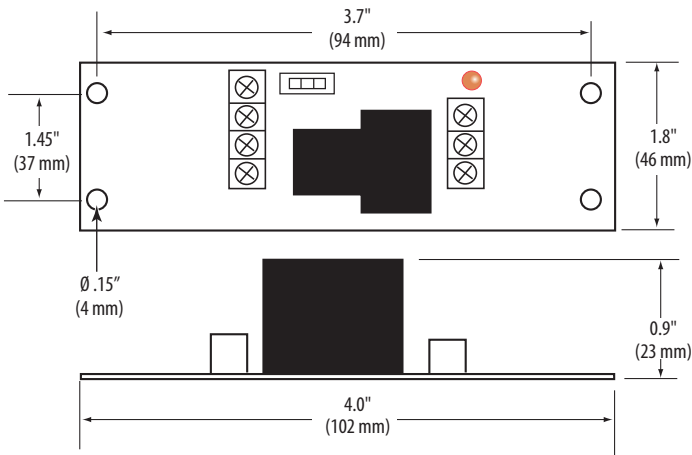
5. Secure the enclosure and reconnect power.

DIMENSIONS

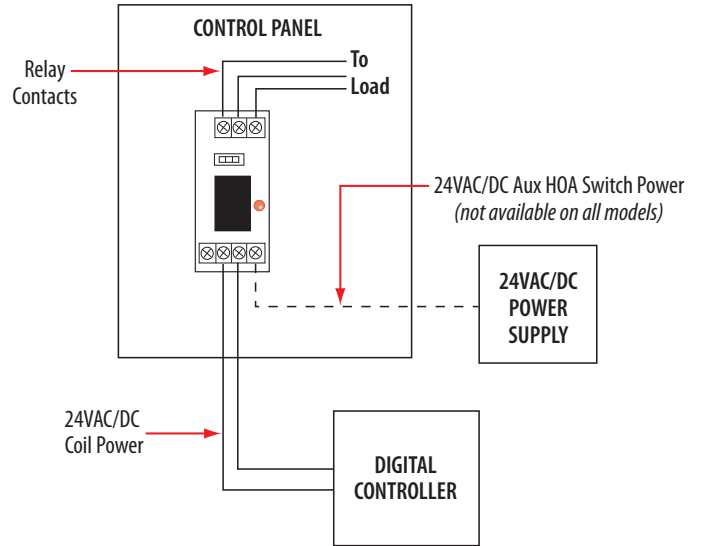
VST120 and VST121



VST120-4 and VST121-4



WIRING EXAMPLE



CONTACT AND COIL SPECIFICATIONS

TYPICAL COIL PERFORMANCE

Voltage	Coil Current	
	AC	DC
24V.....	75mA	32mA
120V.....	42mA	-

CONTACT RATINGS

Resistive.....	20A@250VAC
	10A@28VDC
Motor.....	120VAC, 1HP