

SNAPTRACK™ 20A SPDT Relays

VST120 Series



VST120



VST120-4

SPECIFICATIONS

Operating Temp Range	0° to 60°C (32° to 140°F)
Operating Humidity Range	10-90% RH non-condensing
Relay Status	LED ON=coil energized
Auxiliary Supply for HOA	24VAC/DC (supplied from a Class 2 or LVLE source)*
Expected Relay Life	Electrical (@ rated current) 100,000 cycles; Mechanical (unpowered) 10,000,000 cycles
Insulation Class	600VAC RMS (coil to contact); 120VAC RMS (terminal to surface)

*Class 2 source: A source that provides a Class 2 power supply as defined by the NEC, NFPA70.

LVLE: Low voltage limited energy, not capable of providing more than 30VAC/42.4VDC, 8A or 100VA

SNAPTRACK is a trademark of Tyco Electronics.

TYPICAL COIL PERFORMANCE

Voltage	Coil Current	
	AC	DC
24V.....	75mA	32mA
120V.....	42mA	-

CONTACT RATINGS

Resistive.....	20A@250VAC 10A@28VDC
Motor.....	120VAC, 1HP

Space Saving Open Style Relays

FEATURES

- Relay logic
- Sense voltages for alarm conditions
- Mount relay right in panel to save installation time and space on the jobsite
- HOA switch allows for easy job commissioning (VST121(-4))
- LED to prove coil status...saving labor costs
- High power 20A relay
- 4" models come with pre-drilled holes for direct panel/wall mounting...one unit with multiple mounting options, fewer models to purchase, stock, & install

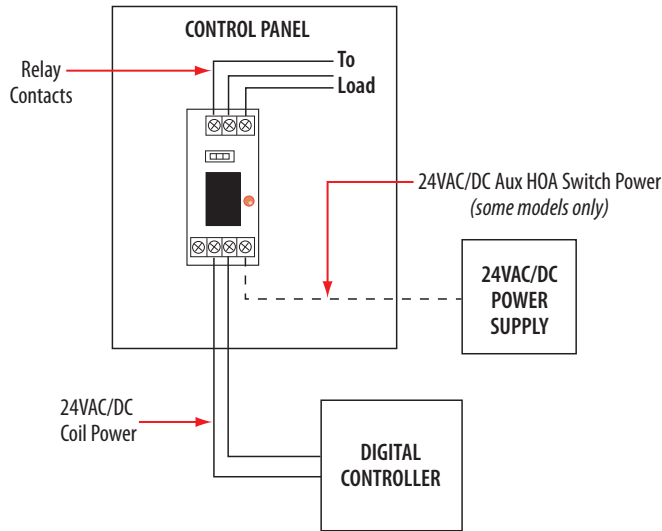
DESCRIPTION

The **VST120 Series** track mount industrial-strength relays will easily mount to either 2.75" or 4" SNAPTRACK™. The space-saving design allows you to fit many relays in a single electrical box for easy installation and servicing. These devices include convenience features such as an LED for coil status indication and an HOA switch for local control (see ordering table for models with HOA switches).

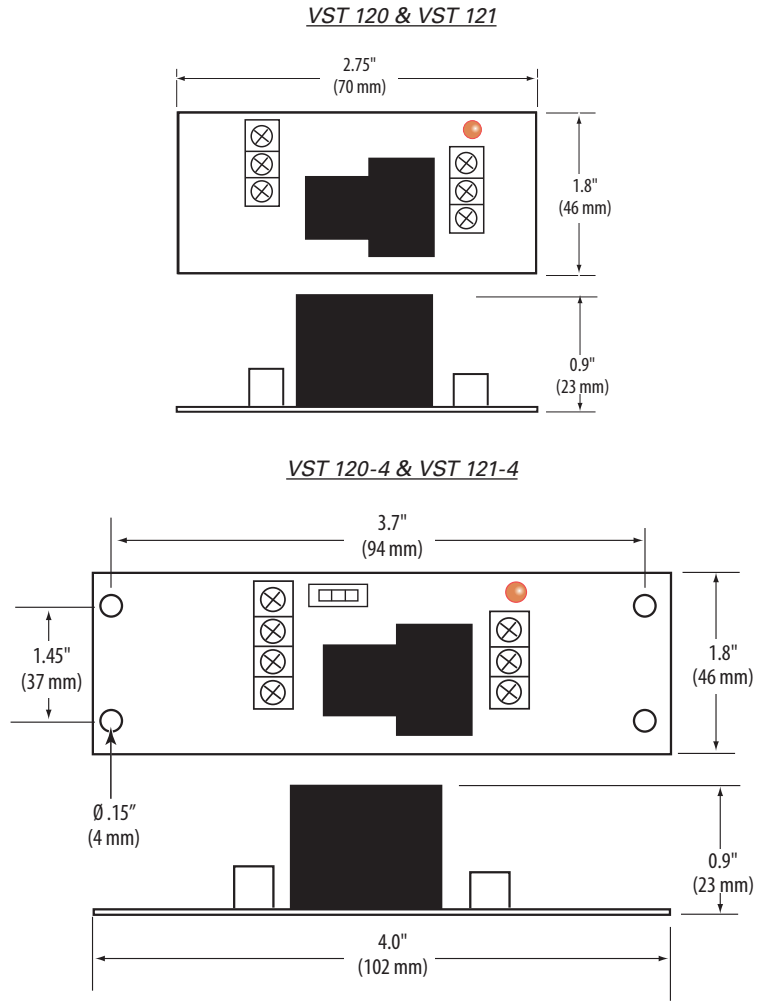
APPLICATIONS

- Lighting panels
- Control motors
- Isolation
- Device interlocking

WIRING DIAGRAM



DIMENSIONAL DRAWING



ORDERING INFORMATION



MODEL	RELAY	COIL	AMPERAGE RATING	HOA	LENGTH	RELAY POWER LED	UL
VST120	SPDT	24VAC/DC, 120VAC	20A	No	2.75"	●	●
VST120-4				No	4.0"	●	●
VST121				Yes*	2.75"	●	●
VST121-4				Yes*	4.0"	●	●

*Coil side Hand-Off-Auto switch contained in low-voltage portion of input circuit

ACCESSORIES

2" and 12" lengths of SNAPTRACK™ (AV03, AV04, AV05, AV06)

