

VST10 (-4), VST11 (-4) VST10 (-4), VST11 (-4)

Track Mount 10 Amp SPDT Relay



Installer's Specifications

Operating Temperature	0° to 60°C (32° to 140°F)
Operating Humidity	10-90% RH, non-condensing
Relay Status	LED ON=energized
Auxiliary Supply for HOA	24VAC/DC (supplied from a Class 2 or LVLE source)*
Expected Relay Life	Electrical (@ rated current) 100,000 cycles;
	Mechanical (unpowered) 10,000,000 cycles
Terminal Block Torque	0.5 to 3.5 in-lb (0.68 to 4.75 N-m)
Insulation Class	600VAC RMS (coil to contact); 120VAC RMS (terminal to surface)
Agency Approvals	UL508 open device listing; Installation Category III, pollution degree 2

*Class 2 source: A source that provides a Class 2 power supply as defined by the NEC, NFPA-70.
LVLE: Low voltage limited energy, not capable of providing more than 30VAC/42.4VDC, 8A or 100VA

⚠ DANGER ⚡

HAZARD OF ELECTRIC SHOCK, EXPLOSION, OR ARC FLASH

- Follow safe electrical work practices. See NFPA 70E in the USA, or applicable local codes.
- This equipment must only be installed and serviced by qualified electrical personnel.
- Read, understand and follow the instructions before installing this product.
- Turn off all power supplying equipment before working on or inside the equipment.
- Use a properly rated voltage sensing device to confirm power is off.
DO NOT DEPEND ON THIS PRODUCT FOR VOLTAGE INDICATION

Failure to follow these instructions will result in death or serious injury.

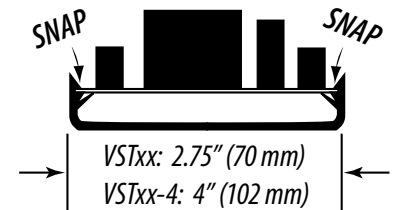
NOTICE

- This product is not intended for life or safety applications.
- Do not install this product in hazardous or classified locations.
- The installer is responsible for conformance to all applicable codes.
- Mount this product inside a suitable fire and electrical enclosure.

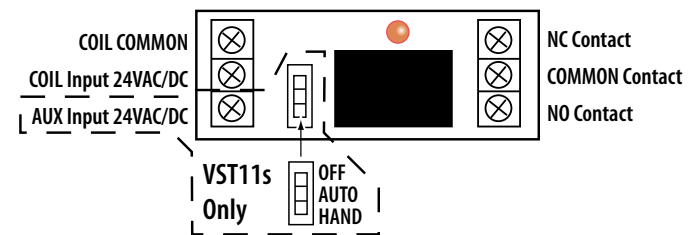
INSTALLATION

Disconnect and lock out all power sources before beginning the installation.

1. Snap the VST into a mounted track of the appropriate size.



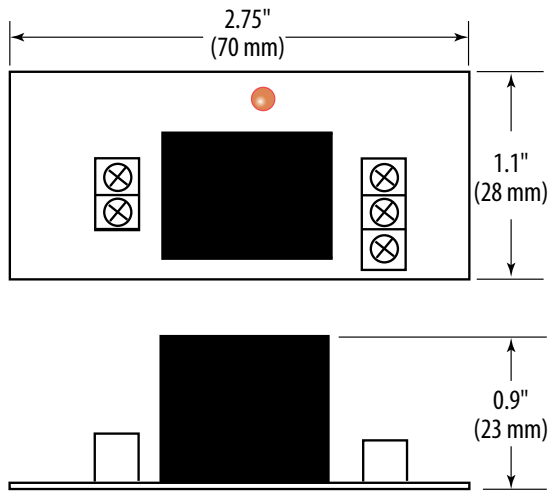
2. Connect the coil terminals as indicated below. The status LED is closest to the load terminals. Use a single 24 VAC/DC Class 2 or low-voltage limited energy (LVLE), power source. Fusing is mandatory if the control voltage supply can provide > 4 A.



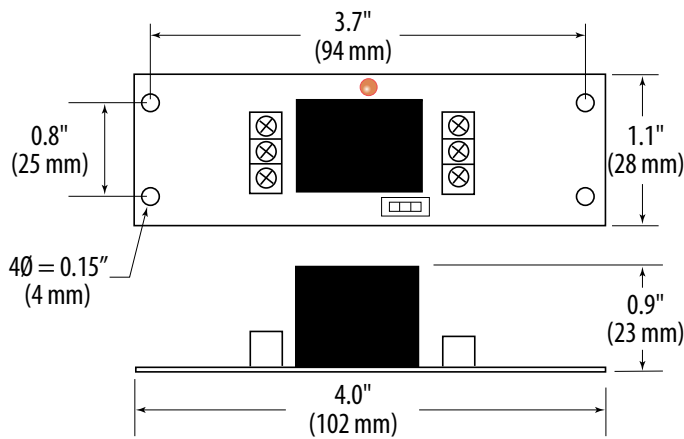
3. Connect the contact terminals to the load(s), as required.
4. If using a VST11 or VST11-4, set the HOA switch to the correct position for your application, Hand, Auto, or Off. If using the Hand position, connect the 24 VAC/DC coil power to the AUX terminal to power the switch.
5. Secure the enclosure and reconnect power.

DIMENSIONS

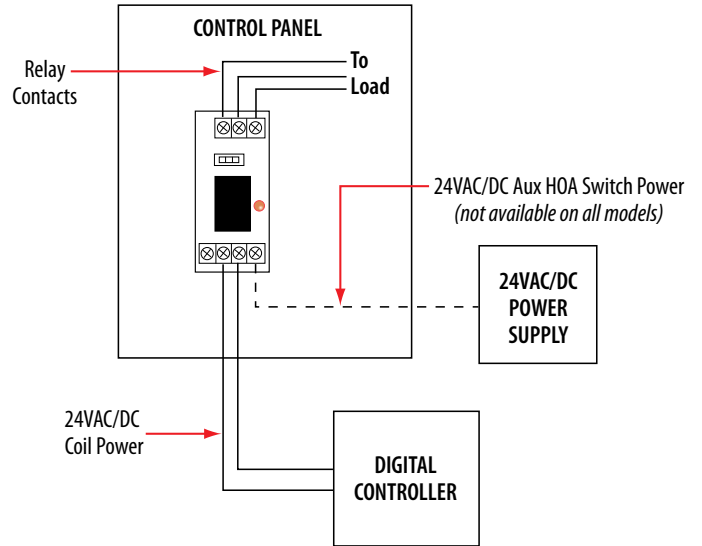
VST10 and VST11



VST10-4 and VST11-4



WIRING EXAMPLE



CONTACT AND COIL SPECIFICATIONS

TYPICAL COIL PERFORMANCE		
VOLTAGE	Coil Current	
	AC	DC
24V.....	32mA	15mA

CONTACT RATINGS	
Resistive.....	10A@250VAC 5A@30VDC
Motor.....	120VAC, 1/4HP N.O. 1/8 HP N.C.