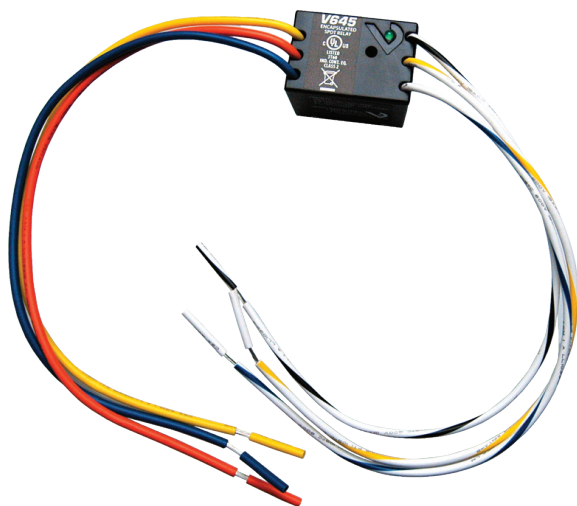


Mini Command Victory Relay: 10A SPDT

Victory 645



V645



SPECIFICATIONS

5 Year
Warranty

Operating Temp Range	0° to 60° C (32° to 140°F)
Operating Humidity Range	10% - 90% RH non-condensing
Expected Relay Life	Electrical (@ rated current) 100,000 cycles; Mechanical (unpowered) 10,000,000 cycles
Relay Status	LED ON = Energized
Dielectric Strength	1500VAC RMS
Agency Approvals	UL 508
WIRE SPECIFICATIONS	
Lead Length	10" (254 mm) min.
Gauge	UL1015; Coil: 18 AWG; Contacts: 16 AWG

TYPICAL COIL PERFORMANCE

Voltage	Coil Current	
	AC	DC
24-30V.....	32mA	13mA
120V.....	17mA	—

CONTACT RATINGS

Resistive.....	10A@250VAC, N.O. 7A@250VAC, N.C. 6A@277VAC 7A@30VDC
Motor.....	125VAC, 1/4 HP, N.O.

10A Relay In A Small Package For Tight Spaces

FEATURES

- Economical multi-voltage relay
- 24-30VAC/DC or 120VAC coil input provides application flexibility
- Status LED for visual indication, helps with diagnostics
- Switch up to 10A@250VAC
- Multiple mounting options for versatility...ships with foam tape, mounting screw, and DIN Rail clip

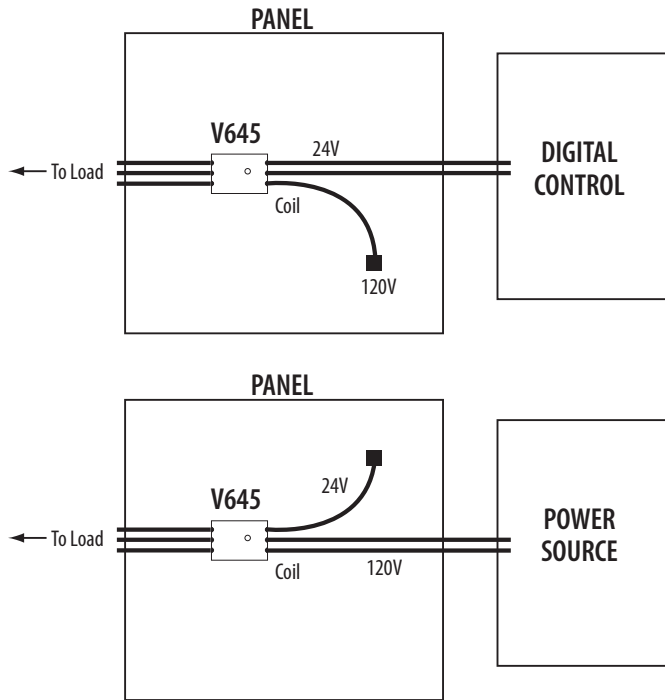
DESCRIPTION

The **Victory 645** is an economical, multi-purpose relay designed for control of loads up to 10 A. Its small size allows for space saving utility in panels and field enclosures.

APPLICATIONS

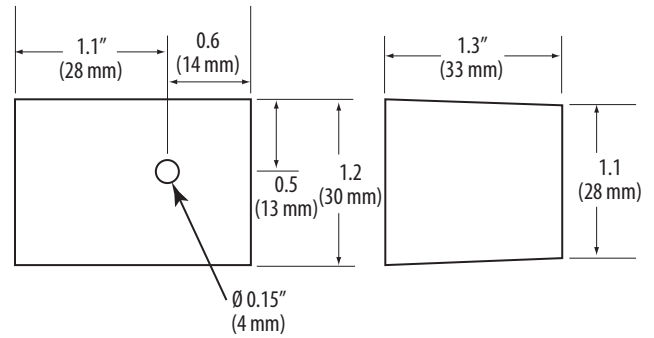
- Sense voltages for alarm conditions
- Relay logic
- Isolation
- For start/stop of small motors & contactors
- Device interlocking

WIRING DIAGRAM

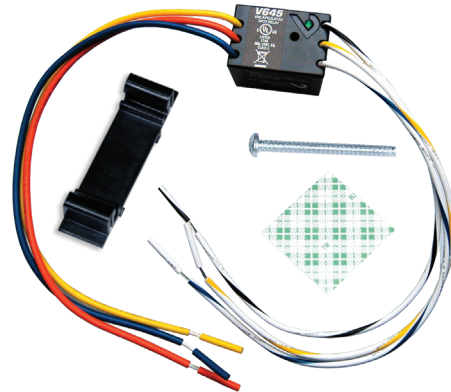


* Wire is capped on unused option.

DIMENSIONAL DRAWING

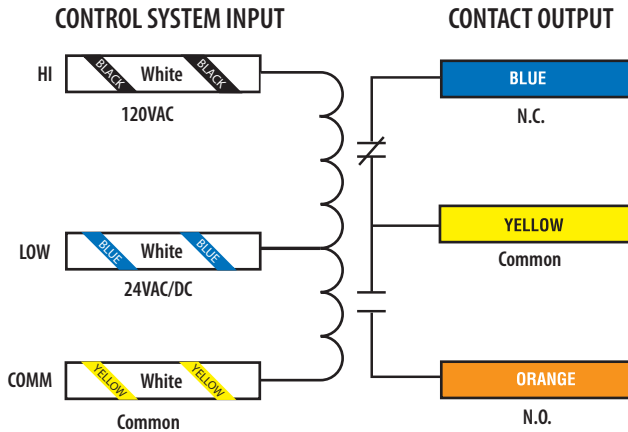


MOUNTING METHOD



The V645 comes with a DIN rail clip, screw, and foam tape for a variety of mounting methods.

WIRE COLOR CODES



ORDERING INFORMATION



MODEL	RELAY	COIL	AMPERAGE RATING	RELAY POWER LED	UL
V645	SPDT	24-30VAC/DC, 120VAC	10A	●	●

ACCESSORIES

DIN Rail, DIN Stop Clip (AV01, AV02)

