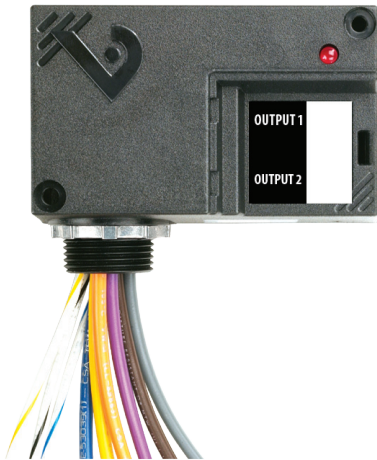


V420



V420

20A DPDT Enclosed Relay

Installer's Specifications

Operating Temperature	-40°C to 40°C (-40° to 104°F)
Operating Humidity	10-90% non condensing
Expected Relay Life	Electrical (at rated current): 100,000 cycles Mechanical (unpowered): 10,000,000 cycles
Relay Status	LED ON=energized
Wire Specifications:	
Lead Length	14" (356mm) min.
Gauge	UL1015; Coil: 18AWG; Contacts: 12AWG
Insulation Class	277VAC RMS
Agency Approvals	UL508 enclosed device listing, pollution degree 2



HAZARD OF ELECTRIC SHOCK, EXPLOSION, OR ARC FLASH

- Follow safe electrical work practices. See NFPA 70E in the USA, or applicable local codes.
- This equipment must only be installed and serviced by qualified electrical personnel.
- Read, understand and follow the instructions before installing this product.
- Turn off all power supplying equipment before working on or inside the equipment.
- Use a properly rated voltage sensing device to confirm power is off.
DO NOT DEPEND ON THIS PRODUCT FOR VOLTAGE INDICATION

Failure to follow these instructions will result in death or serious injury.

NOTICE

- This product is not intended for life or safety applications.
- Do not install this product in hazardous or classified locations.
- The installer is responsible for conformance to all applicable codes.
- Mount this product inside a suitable fire and electrical enclosure.

INSTALLATION

Disconnect and lock out all power sources before beginning the installation.

- Using the threaded nipple, connect the relay to the desired enclosure through a knock out hole.
- Secure with the conduit nut provided.
- Connect coil:
 - Choose the coil common lead (white with yellow stripe) and connect it to the common (-) source termination point.
 - Choose either the low voltage (24VAC/DC, white with blue stripe) or high voltage (208-277VAC, white with brown stripe) lead, depending on the application requirements, and connect it to the (+) source termination point.*

NOTE: When connecting the control side of this device (#18 wires) to power line circuits, provide current limiting at 7 amps max.
- Connect relay contacts:

Output #1

- Choose the relay common lead (solid yellow) and connect it to the switched load.
- Choose the relay N.O. (solid orange) and/or the N.C. (solid blue) lead and connect it to the switched load.

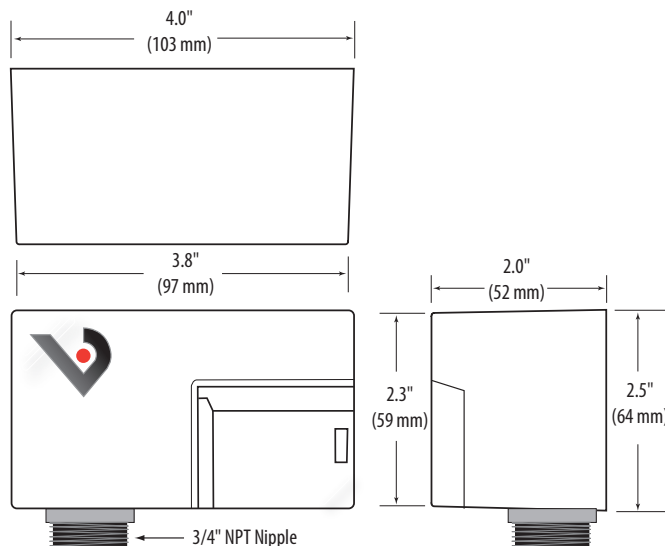
Output #2

- Choose the relay common lead (solid violet) and connect it to the switched load.
- Choose the relay N.O. (solid brown) and/or the N.C. (solid grey) lead and connect it to the switched load.

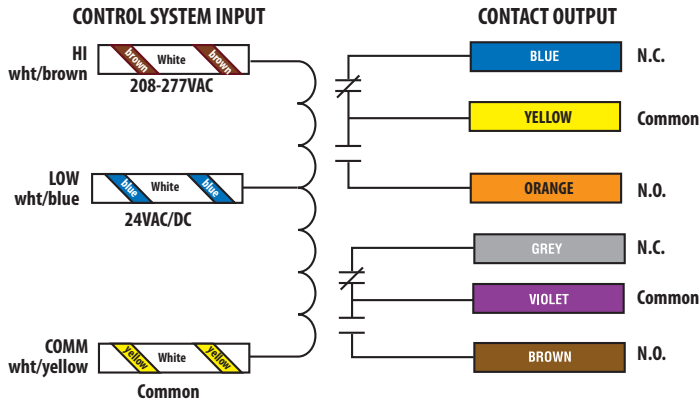
- Secure the enclosure and reconnect power.

* Isolate or insulate all non-terminated wires according to local electrical code requirements, i.e. wire nut.

DIMENSIONS

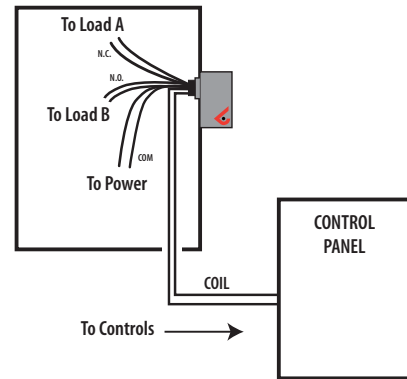


WIRING COLOR CODES



WIRING EXAMPLE

Nipple mount directly to a panel

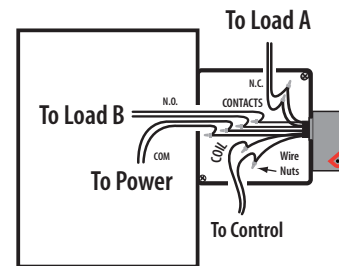


CONTACT AND COIL SPECIFICATIONS

TYPICAL COIL PERFORMANCE		
Voltage	Coil Current	
	AC	DC
24V.....	150mA	64mA
277V.....	102mA	-

CONTACT RATINGS	
Resistive.....	20A@277VAC, 28VDC
Motor.....	120VAC, 1HP 277VAC, 2HP
Pilot Duty.....	A300
Ballast.....	20A@277VAC N.O. 10A@277VAC N.C.
Tungsten.....	10A@120VAC N.O. 2A@120VAC N.C.

Nipple mount to a 2x or 4x electrical box



* Isolate any unused wires, e.g. wire nut.