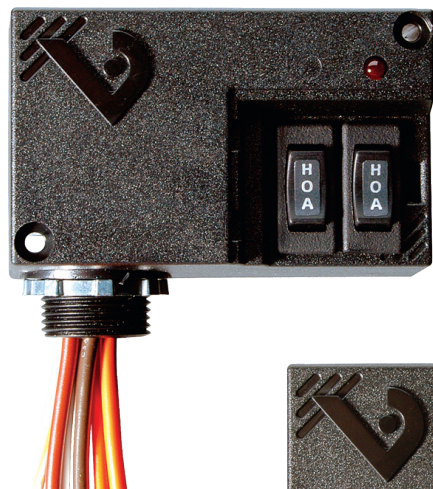


# Enclosed Victory Relays: 20A DPST, with HOA Switch

## Victory 321 & 421



V321



V421

Cover conceals HOA switch



### SPECIFICATIONS

Operating Temp Range	-40° to 40°C (-40° to 104°F)
Operating Humidity Range	10-90% RH non-condensing
Expected Relay Life	Electrical (@ rated current) 100,000 cycles; Mechanical (unpowered) 10,000,000 cycles
Relay Status	LED ON=energized
Insulation Class	277VAC RMS
Agency Approvals	UL 508
<b>WIRE SPECIFICATIONS</b>	
Lead Length	14" (356 mm) min.
Gauge	UL1015; Coil: 18 AWG; Contacts: 12 AWG; HOA monitor wires: 16 AWG

### TYPICAL COIL PERFORMANCE

Voltage	Coil Current	
	AC	DC
24V.....	120mA	64mA
120V.....	84mA	-
277V.....	102mA	-

### CONTACT RATINGS

Resistive.....	20A@240VAC
	8A@28VDC
	14A@14VDC
Motor.....	120VAC, 1HP

## HOA Switch Provides Local Control

### FEATURES

- Sleek field enclosure reduces the need for panel space
- Versatile coil and contact ratings minimize the number of models to choose
- The nipple mount feature allows the Victory series to be mounted to any electrical enclosure easing installation
- Flexible tinned stranded wire...fits easily in tight spaces and provides secure connections to wire nuts
- UL508 Listed...designed and listed for field installation... makes electrical inspection a snap
- Products include a cover that conceals and protects the HOA switch, reducing the likelihood of tampering
- Limit costly control system override and service calls
- Separate HOA switch per output...local control of both outputs

### DESCRIPTION

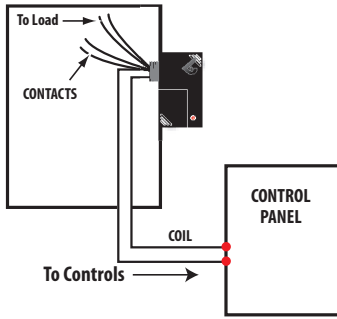
The **Victory 321 and 421** DPST power duty enclosed relays combine an industrial strength relay with installation flexibility...use the nipple mount to attach to any enclosure. One coil input controls the state of two power rated contacts for simultaneous control of two devices or both poles of a single phase load. Each output is enabled with a Hand-Off-Auto switch for local control. The Victory series does not require a dedicated field enclosure, so it is ideal for retrofit projects. Field-selectable high and low voltage coil inputs provide on-site versatility.

### APPLICATIONS

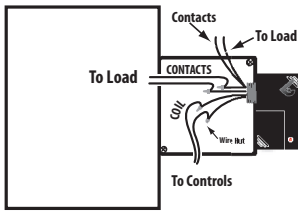
- Command contactors
- Control motors
- Isolation
- Device interlocking
- Relay logic
- Sense voltages for alarm conditions
- Control fractional HP motors

**WIRING DIAGRAM**

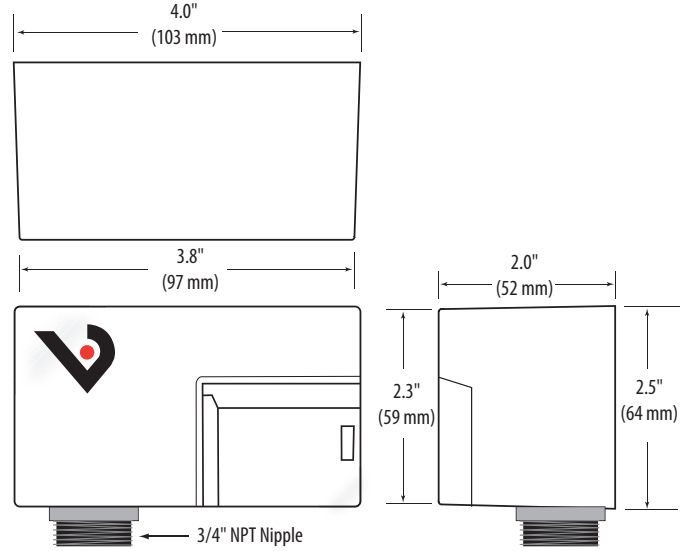
*Nipple mount directly to a panel*



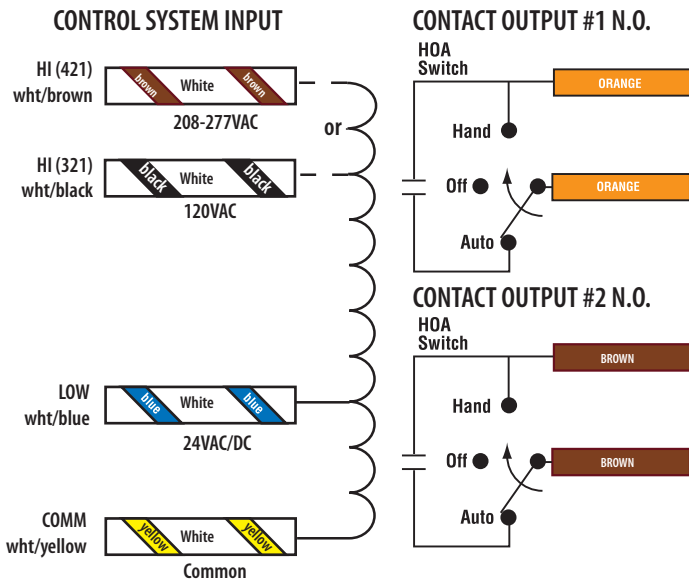
*Nipple mount to any 2x or 4x electrical box*



**DIMENSIONAL DRAWING**



**WIRE COLOR CODES**



**ORDERING INFORMATION**



MODEL	RELAY	COIL	AMPERAGE RATING	HOA	RELAY POWER LED	UL
V321	DPST	24VAC/DC, 120VAC	20A	●	●	●
V421		24VAC/DC, 208-277VAC		●	●	●

Some units are Plenum rated per UL 1995...see White Paper VWP01 at veris.com for details