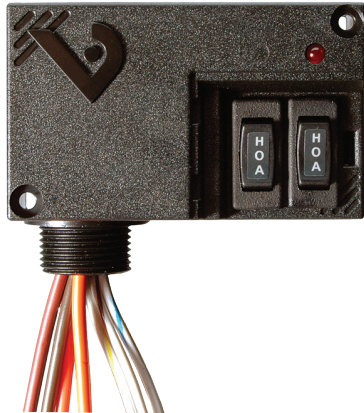


# V321



# V321

## 20A DPST Enclosed Relay With Dual HOA Switches

### Installer's Specifications

Operating Temperature	-40°C to 40°C (-40° to 104°F)
Operating Humidity	10-90% non condensing
Expected Relay Life	Electrical (at rated current): 100,000 cycles Mechanical (unpowered): 10,000,000 cycles
Relay Status	LED ON=energized
<b>Wire Specifications:</b>	
Lead Length	14" (356mm) min.
Gauge	UL1015; Coil: 18AWG; Contacts: 12AWG
Insulation Class	277VAC RMS
Agency Approvals	UL508 enclosed device listing, pollution degree 2



### HAZARD OF ELECTRIC SHOCK, EXPLOSION, OR ARC FLASH

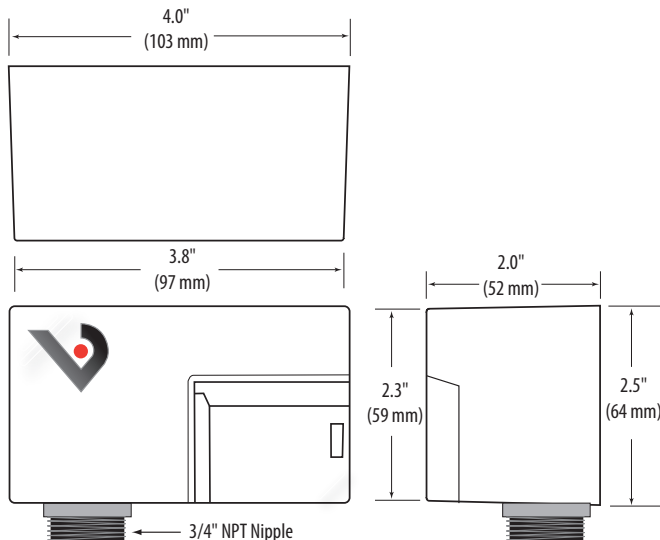
- Follow safe electrical work practices. See NFPA 70E in the USA, or applicable local codes.
- This equipment must only be installed and serviced by qualified electrical personnel.
- Read, understand and follow the instructions before installing this product.
- Turn off all power supplying equipment before working on or inside the equipment.
- Use a properly rated voltage sensing device to confirm power is off.  
**DO NOT DEPEND ON THIS PRODUCT FOR VOLTAGE INDICATION**

**Failure to follow these instructions will result in death or serious injury.**

## NOTICE

- This product is not intended for life or safety applications.
- Do not install this product in hazardous or classified locations.
- The installer is responsible for conformance to all applicable codes.
- Mount this product inside a suitable fire and electrical enclosure.

## DIMENSIONS



## INSTALLATION

**Disconnect and lock out all power sources before beginning the installation.**

- Using the threaded nipple, connect the relay to the desired enclosure through a knock out hole.
- Secure with the conduit nut provided.
- Connect coil:
  - Choose the coil common lead (white with yellow stripe) and connect it to the common (-) source termination point.
  - Choose either the low voltage (24VAC/DC, white with blue stripe) or high voltage (120VAC, white with black stripe) lead, depending on the application requirements, and connect it to the (+) source termination point.\*

NOTE: When connecting the control side of this device (#18 wires) to power line circuits, provide current limiting at 7 amps max.
- Connect relay contacts:

### Output #1

- Choose the two relay N.O. (solid orange) leads and connect to the switched load.

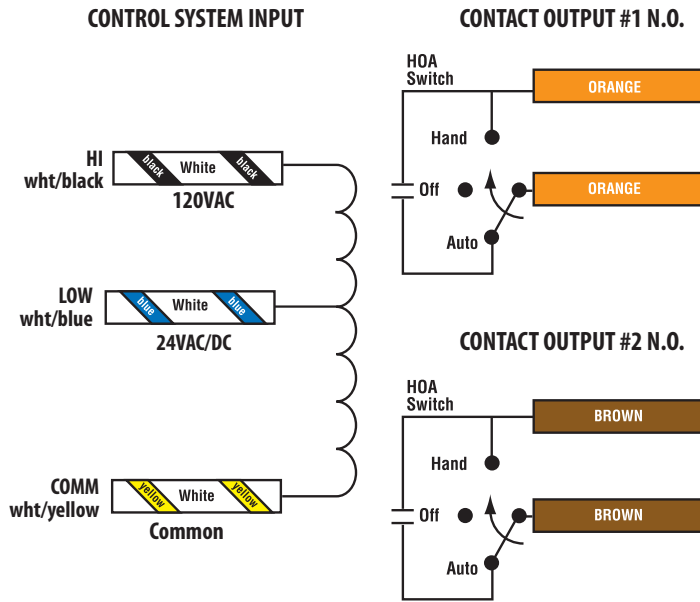
### Output #2

- Choose the two relay N.O. (solid brown) leads and connect to the switched load.

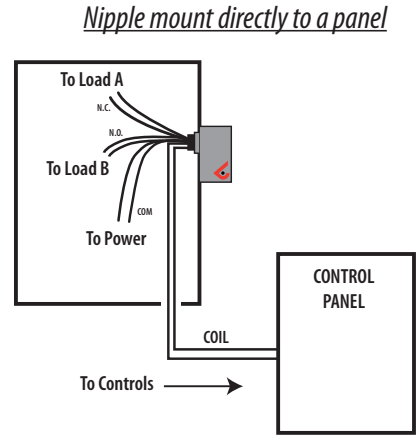
- Secure the enclosure and reconnect power.

\* Isolate or insulate all non-terminated wires according to local electrical code requirements, i.e. wire nut.

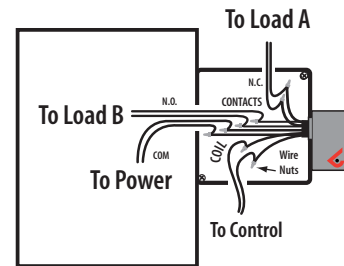
**WIRING COLOR CODES**



**WIRING EXAMPLE**



*Nipple mount to a 2x or 4x electrical box*



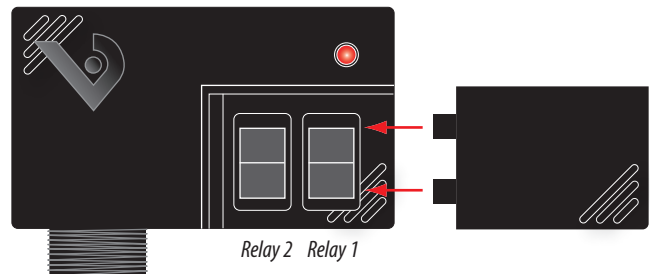
\* Isolate any unused wires, e.g. wire nut.

**CONTACT AND COIL SPECIFICATIONS**

TYPICAL COIL PERFORMANCE		
Voltage	Coil Current	
	AC	DC
24V.....	120mA	64mA
120V.....	84mA	-

CONTACT RATINGS	
Resistive.....	20A@240VAC 8A@28VDC 14A@14VDC
Motor.....	120VAC, 1HP

**HOA POSITIONS**



- HAND** Up position: contacts are closed.
- OFF** Middle position: contacts are open.
- AUTO** Down position: control system actuates the contacts.