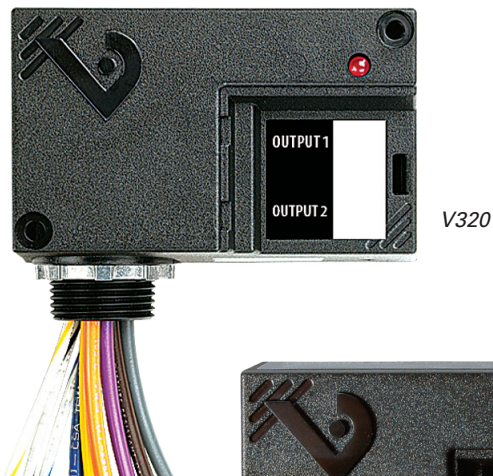
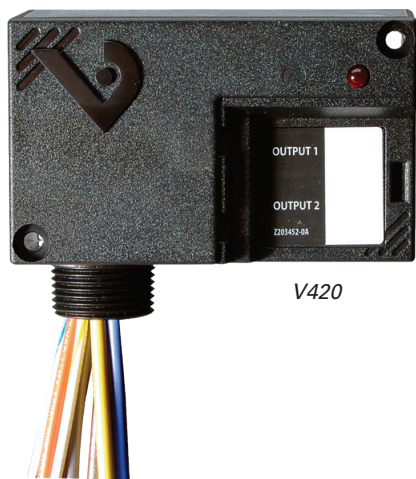


Enclosed Victory Relays: 20A DPDT

Victory 320 & 420



V320



V420

SPECIFICATIONS



Operating Temp Range	-40° to 40°C (-40° to 104°F)
Operating Humidity Range	10-90% RH non-condensing
Expected Relay Life	Electrical (@ rated current) 100,000 cycles; Mechanical (unpowered) 10,000,000 cycles
Relay Status	LED ON=energized
Insulation Class	277VAC RMS
Agency Approvals	UL 508
WIRE SPECIFICATIONS	
Lead Length	14" (356 mm) min.
Gauge	UL1015; Coil: 18 AWG; Contacts: 12 AWG; HOA monitor wires: 16 AWG

TYPICAL COIL PERFORMANCE

Voltage	Coil Current	
	AC	DC
24V.....	150mA	64mA
120V.....	84mA	-
277V.....	102mA	-

CONTACT RATINGS

Resistive.....	20A@277VAC, 28VDC
Motor.....	120VAC, 1HP 277VAC, 2HP
Pilot Duty.....	A300
Ballast.....	20A@277VAC N.O 10A@277VAC N.C.
Tungsten.....	10A@120VAC N.O. 2A@120VAC N.C.

DPDT Relays Provide Versatility

FEATURES

- Sleek field enclosure reduces the need for panel space
- The nipple mount feature allows the Victory Series to be mounted to any electrical enclosure easing installation
- Flexible tinned stranded wire...fits easily in tight spaces and provides secure connections to wire nuts
- UL508 Listed...designed and listed for field installation... makes electrical inspection a snap

DESCRIPTION

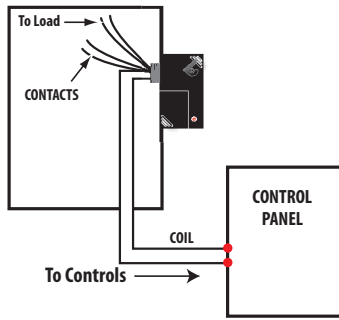
The **Victory 320 and 420** DPDT power duty enclosed relays combine industrial-strength and ease of use. With the nipple mount enclosure, installation could not be easier. The V320/V420 need no dedicated field enclosure, so they are the ideal retrofit devices. One coil input controls the state of two power rated contacts for the simultaneous control of two devices or both poles of a single-phase circuit, e.g. motor loads. Field-selectable high and low voltage coil inputs provide on-site versatility.

APPLICATIONS

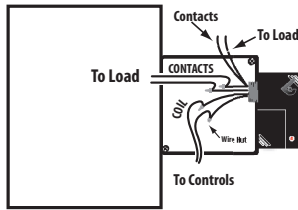
- Command contactors
- Control motors
- Isolation
- Device interlocking
- Relay logic
- Sense voltages for alarm conditions
- Control fractional HP motors

WIRING DIAGRAM

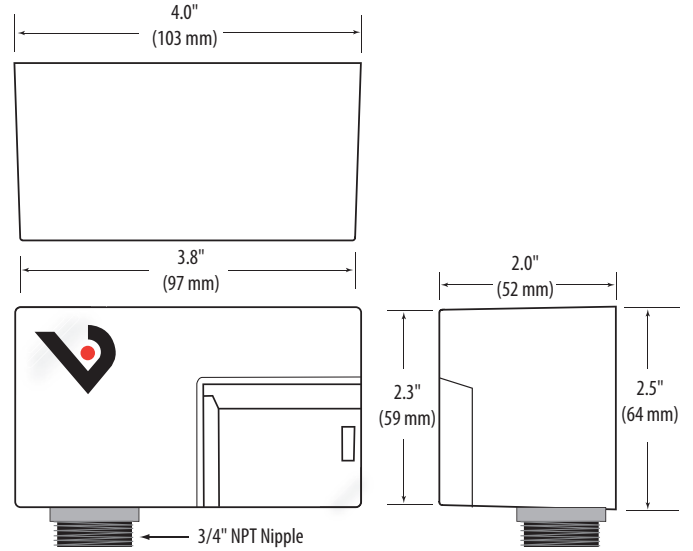
Nipple mount directly to a panel



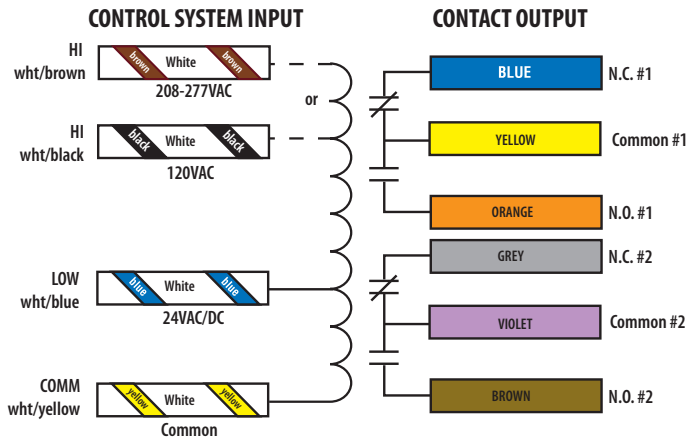
Nipple mount to any 2x or 4x electrical box



DIMENSIONAL DRAWING



WIRE COLOR CODES



ORDERING INFORMATION

MODEL	RELAY	COIL	AMPERAGE RATING	RELAY POWER LED	UL
V320	DPDT	24VAC/DC, 120VAC	20A	●	●
V420		24VAC/DC, 208-277VAC		●	●

Some devices are plenum rated per UL 1995...see White Paper VWP01 at veris.com for details