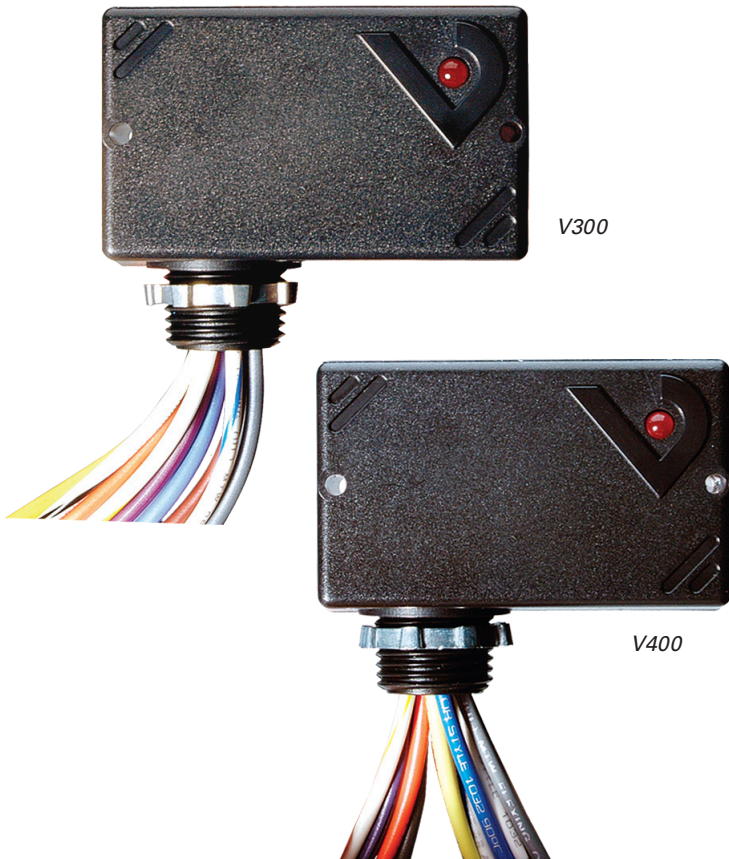


# Enclosed Victory Relays: 10A DPDT

## Victory 300 & 400



### SPECIFICATIONS

**5 Year**  
Warranty

Operating Temp Range	-34° to 60°C (-29° to 140°F)
Operating Humidity Range	10-90% RH non-condensing
Expected Relay Life	Electrical (@ rated current) 100,000 cycles; Mechanical (unpowered) 10,000,000 cycles
Relay Status	LED ON=energized
Insulation Class	600VAC RMS
Agency Approvals	UL 508
<b>WIRE SPECIFICATIONS</b>	
Lead Length	14" (356 mm) min.
Gauge	UL1015; Coil: 18 AWG; Contacts: 16 AWG

### CONTACT RATINGS

Resistive..... 10A total of both poles,  
277VAC & 28 VDC  
Motor..... 1/3HP@120VAC

## DPDT Relays Provide Versatility

### FEATURES

- Sleek field enclosure reduces the need for panel space
- The nipple mount feature allows the Victory Series to be mounted to any electrical enclosure easing installation
- Flexible tinned stranded wire...fits easily in tight spaces and provides secure connections to wire nuts
- UL508 Listed...designed and listed for field installation... makes electrical inspection a snap

### DESCRIPTION

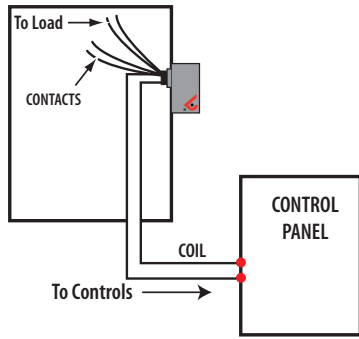
The **Victory 300 and 400 Series** 10A DPDT pilot duty enclosed relays combine industrial strength and ease of use. The nipple mount enclosure makes installation easy. With no need for a dedicated field enclosure, they are the ideal retrofit devices. One coil input controls the state of two pilot rated contacts for the simultaneous control of two devices or both poles of a single-phase circuit, e.g. motor loads. Field-selectable high and low voltage coil inputs provide on-site versatility.

### APPLICATIONS

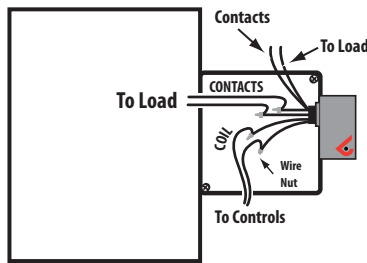
- Command contactors
- Control motors
- Isolation
- Device interlocking
- Relay logic
- Sense voltages for alarm conditions

**WIRING DIAGRAM**

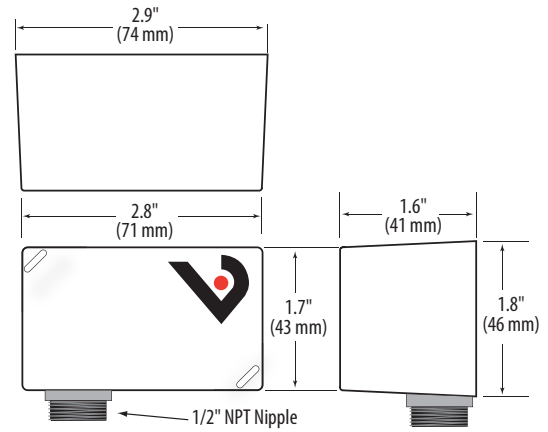
*Nipple mount directly to a panel*



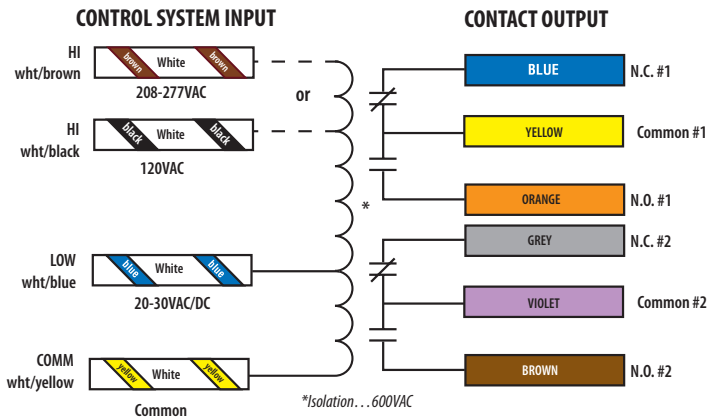
*Nipple mount to any 2x or 4x electrical box*



**DIMENSIONAL DRAWING**



**WIRE COLOR CODES**



**ORDERING INFORMATION**



MODEL	RELAY	COIL	AMPERAGE RATING	RELAY POWER LED	UL
V300	DPDT	20-30VAC/DC, 120VAC	10A	●	●
V400		20-30VAC/DC, 208-277VAC		●	●

Some devices are plenum rated per UL 1995...see White Paper VWP01 at veris.com for details