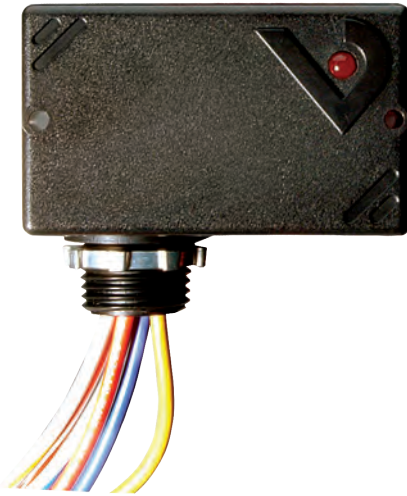


# V220



# V220

## 20A SPDT Enclosed Relay

### Installer's Specifications

Operating Temperature	-34°C to 55°C (-29° to 131°F)
Operating Humidity	10-90% non condensing
Expected Relay Life	Electrical (at rated current): 100,000 cycles Mechanical (unpowered): 10,000,000 cycles
Relay Status	LED ON=energized
<b>Wire Specifications:</b>	
Lead Length	14" (356mm) min.
Gauge	UL1015; Coil: 18AWG; Contacts: 16AWG
Insulation Class	600VAC RMS
Agency Approvals	UL508 enclosed device listing, pollution degree 2

### INSTALLATION

Disconnect and lock out all power sources before beginning the installation.

- Using the threaded nipple, connect the relay to the desired enclosure through a knock out hole.
- Secure with the conduit nut provided.
- Connect coil wires:
  - Choose the coil common lead (white with yellow stripe) and connect it to the common (-) source termination point.
  - Choose either the low voltage (10-30VAC/DC, white with blue stripe) or high voltage (208-277VAC, white with brown stripe) lead, depending on the application requirements, and connect it to the (+) source termination point.\*
- Connect relay contacts:
  - Choose the relay common wire (yellow) and connect to the switched load.
  - Choose the relay N.O. (orange) and/or\* N.C. (blue) lead and connect to the switched load.

5. Secure the enclosure and reconnect power.

\* Isolate or insulate all non-terminated wires according to local electrical code requirements, i.e. wire nut.

## ⚠ DANGER ⚡

### HAZARD OF ELECTRIC SHOCK, EXPLOSION, OR ARC FLASH

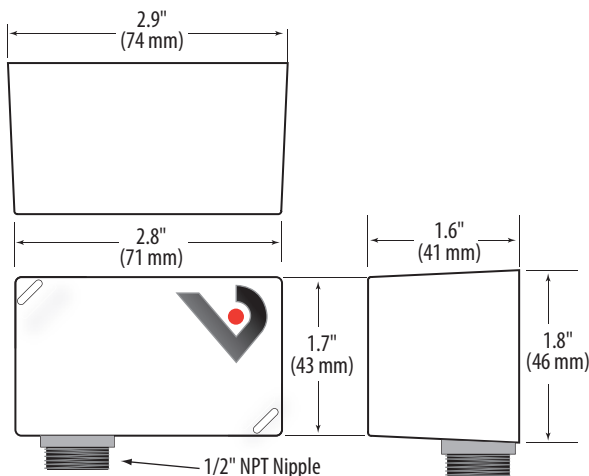
- Follow safe electrical work practices. See NFPA 70E in the USA, or applicable local codes.
  - This equipment must only be installed and serviced by qualified electrical personnel.
  - Read, understand and follow the instructions before installing this product.
  - Turn off all power supplying equipment before working on or inside the equipment.
  - Use a properly rated voltage sensing device to confirm power is off.
- DO NOT DEPEND ON THIS PRODUCT FOR VOLTAGE INDICATION

Failure to follow these instructions will result in death or serious injury.

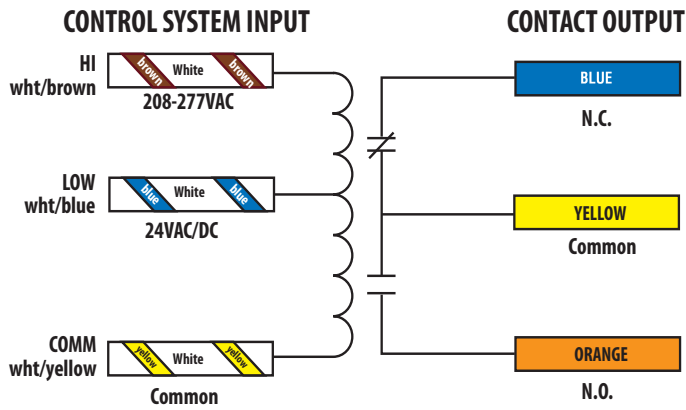
## NOTICE

- This product is not intended for life or safety applications.
- Do not install this product in hazardous or classified locations.
- The installer is responsible for conformance to all applicable codes.
- Mount this product inside a suitable fire and electrical enclosure.

### DIMENSIONS

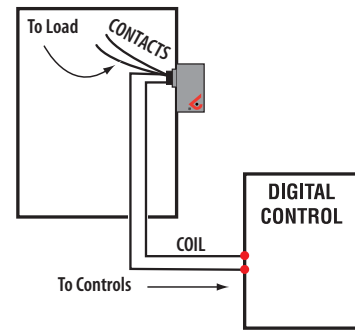


**WIRING COLOR CODES**



**WIRING EXAMPLE**

*Nipple mount directly to a panel*



**CONTACT AND COIL SPECIFICATIONS**

**TYPICAL COIL PERFORMANCE**

Voltage	Coil Current	
	AC	DC
24V.....	75mA	32mA
208V.....	36mA	-
277V.....	49mA	-

**CONTACT RATINGS**

Resistive.....	20A@277VAC, 28VDC
Motor.....	120VAC, 1HP 277VAC, 2HP
Pilot Duty.....	A300
Ballast.....	277VAC, 20A N.O. 277VAC, 10A N.C.
Tungsten.....	120VAC, 10A N.O. 120VAC, 2A N.C.

*Nipple mount to a 4x electrical box*

