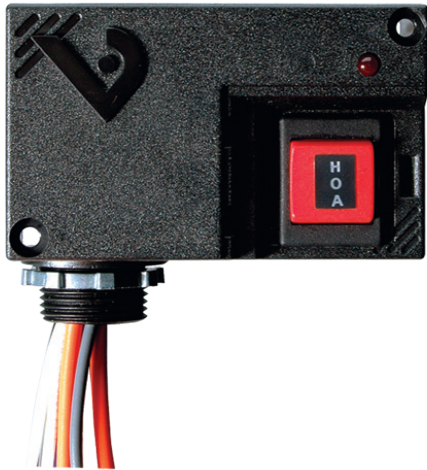


# V203



# V203

## 10A SPDT Enclosed Relay With Digital HOA Monitor

### Installer's Specifications

Operating Temperature	-40° to 55°C (-40° to 131°F)
Operating Humidity	10-90% RH, non-condensing
Expected Relay Life	Electrical (@ rated current) 100,000 cycles; Mechanical (unpowered) 10,000,000 cycles
Relay Status	LED ON=energized
<b>Wire Specifications:</b>	
Lead Length	14" (356mm) min.
Gauge	UL1015; Coil: 18AWG; Contacts: 16AWG; HOA monitor wires: 16AWG
Insulation Class	600VAC RMS
<b>Digital Monitor Maximum:</b>	
Dry Circuit Contact Rating (Max.)	24VAC/DC@100mA
Agency Approvals	UL508 enclosed device listing, pollution degree 2

## **⚠ DANGER ⚠**

### HAZARD OF ELECTRIC SHOCK, EXPLOSION, OR ARC FLASH

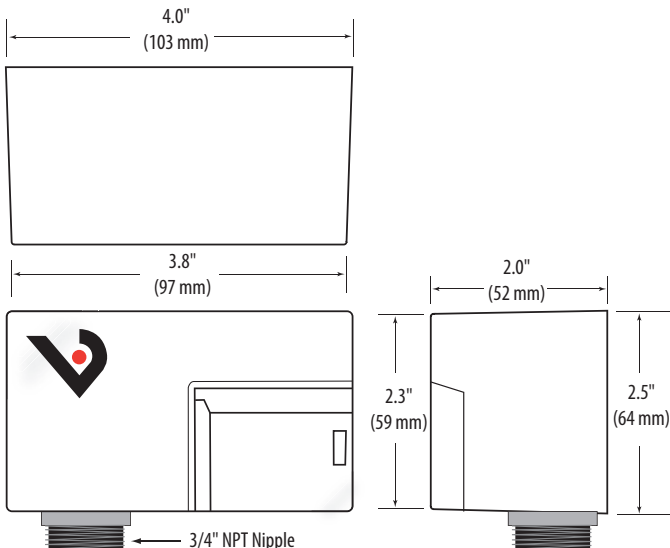
- Follow safe electrical work practices. See NFPA 70E in the USA, or applicable local codes.
  - This equipment must only be installed and serviced by qualified electrical personnel.
  - Read, understand and follow the instructions before installing this product.
  - Turn off all power supplying equipment before working on or inside the equipment.
  - Use a properly rated voltage sensing device to confirm power is off.
- DO NOT DEPEND ON THIS PRODUCT FOR VOLTAGE INDICATION**

**Failure to follow these instructions will result in death or serious injury.**

## NOTICE

- This product is not intended for life or safety applications.
- Do not install this product in hazardous or classified locations.
- The installer is responsible for conformance to all applicable codes.
- Mount this product inside a suitable fire and electrical enclosure.

### DIMENSIONS



## INSTALLATION

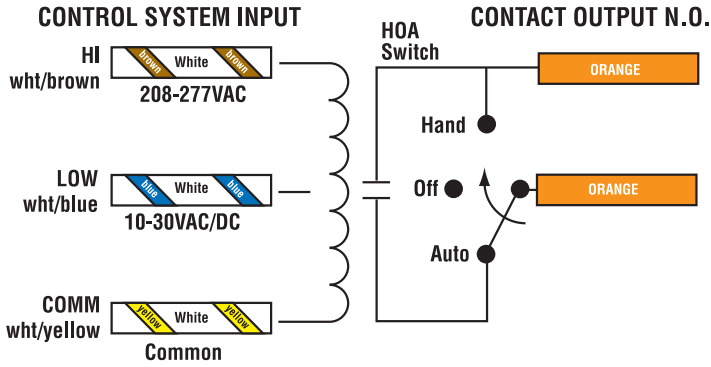
**Disconnect and lock out all power sources before beginning the installation.**

1. Using the threaded nipple, connect the relay to the desired enclosure through a knock out hole.
2. Secure with the conduit nut provided.
3. Connect coil wires:
  - Choose the coil common lead (white with yellow stripe) and connect it to the common (-) source termination point.
  - Choose either the low voltage (10-30VAC/DC, white with blue stripe) or high voltage (208-277VAC, white with brown stripe) lead, depending on the application requirements, and connect it to the (+) source termination point.\*
- NOTE: When connecting the control side of this device (#18 wires) to power line circuits, provide current limiting at 7 amps max.
4. Connect relay contacts:
  - Choose the two solid orange wires (N.O. contact) and connect to the switched load.
5. Connect digital HOA monitor wires:
  - Choose the solid brown and solid grey wires and connect them to two different digital inputs, referencing the violet wire as common.

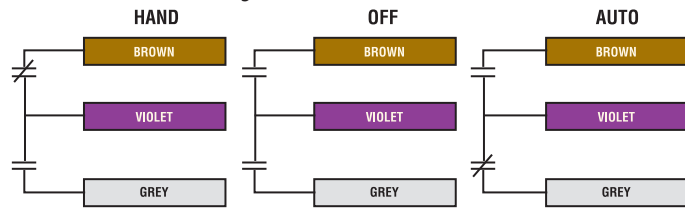
6. Secure the enclosure and reconnect power.

\* Isolate or insulate all non-terminated wires according to local electrical code requirements, i.e. wire nut.

**WIRING COLOR CODES**



*Digital HOA Position Monitor*



**Switch Positions:**  
 HAND = Brown wire closed to Common  
 OFF = Both wires open to Common  
 AUTO = Grey wire closed to Common

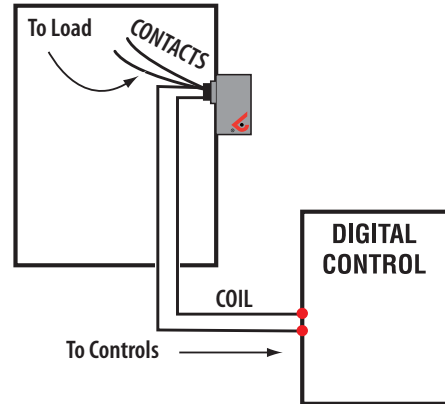
**CONTACT AND COIL SPECIFICATIONS**

TYPICAL COIL PERFORMANCE		
<b>Pull in Voltage</b>	AC	DC
	10-30V.....	8
207-277V.....	154	
<b>Drop Out Voltage</b>	AC	DC
	10-30V.....	2
208-277V.....	36	
<b>Voltage</b>	Coil	Current
	AC	DC
10V.....	25mA	14mA
24V.....	31mA	16mA
30V.....	39mA	18mA
208V.....	19mA	-
277V.....	25mA	-

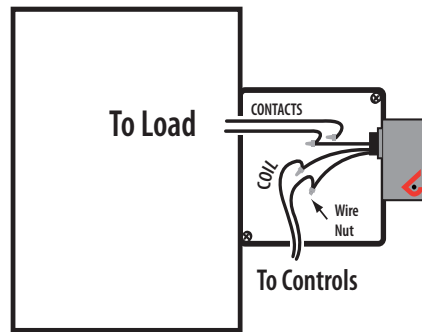
CONTACT RATINGS	
Resistive.....	10A@277VAC
Motor.....	1/3HP@120VAC
Gold Flash.....	Yes

**WIRING EXAMPLE**

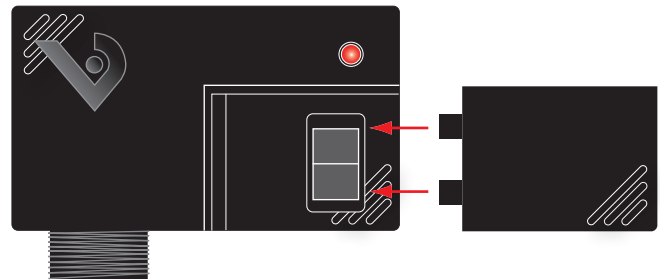
*Nipple mount directly to a panel*



*Nipple mount to a 2x or 4x electrical box*



**HOA POSITIONS**



- HAND** Up position: contacts are closed.
- OFF** Middle position: contacts are open.
- AUTO** Down position: control system actuates the contacts.