

# ***SENSAPHONE*<sup>®</sup> SCADA 3000**

## **APPLICATION SUPPORT BULLETIN**

### Phone Line



### **SUBJECT:**

**Equipment requirements  
for a typical Sensaphone SCADA 3000 remote site  
using a standard telephone line.**

**The purpose of this bulletin is to give the designer or user a general idea of the equipment required for a typical application. It is not intended to be an engineering specification.**

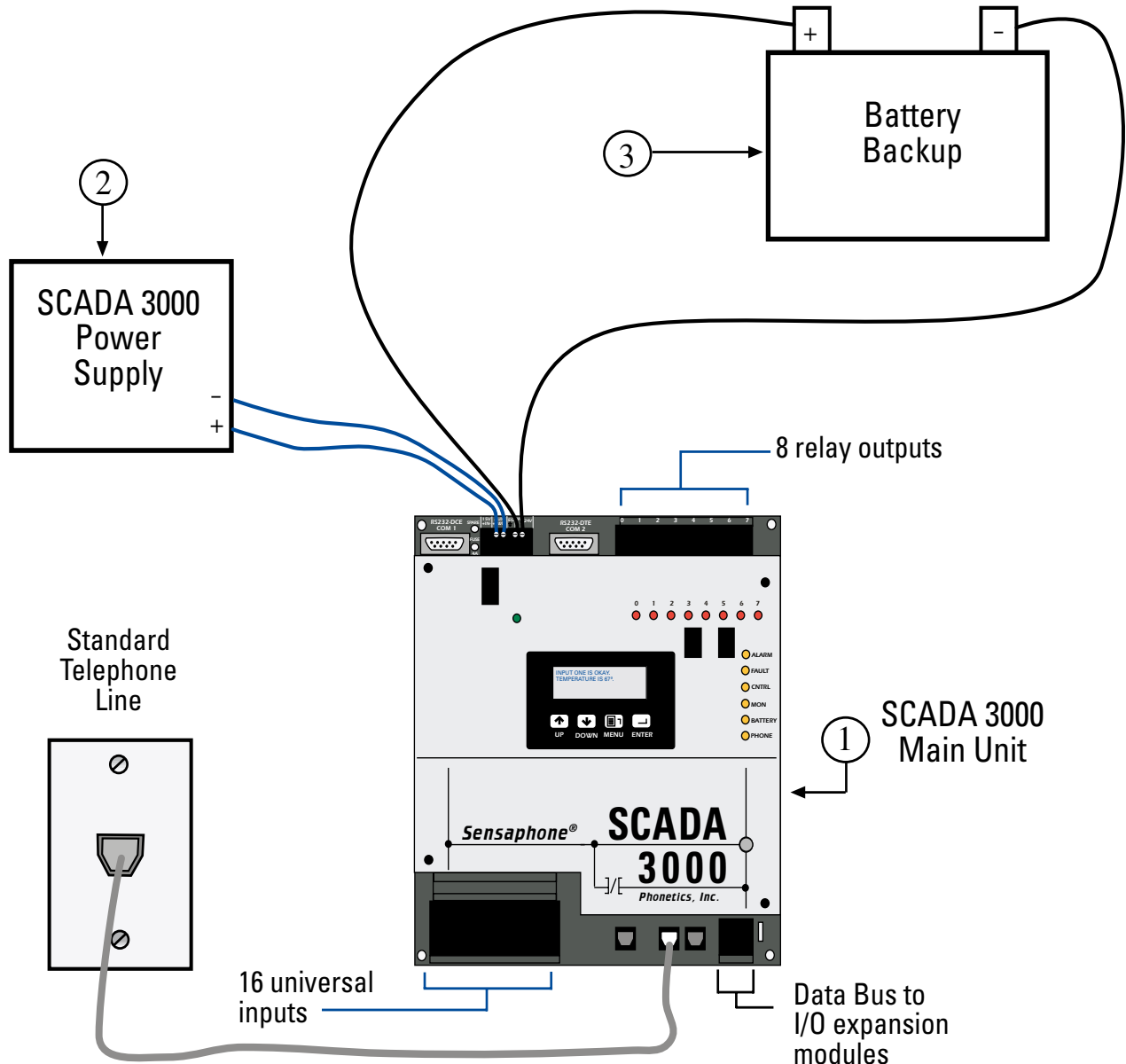
***Phonetics, Inc.*** Technical Service Department, 901 Tryens Road, Aston, P A 19014 610-558-2700 ext. #260  
support@sensaphone.com

# SENSAPHONE® SCADA 3000 APPLICATION SUPPORT BULLETIN

## SUBJECT

Equipment required for typical SCADA 3000 remote site using a standard telephone line

# SCADA 3000 Remote Site using Standard Phone Line



# ***SENSAPHONE*<sup>®</sup> SCADA 3000 APPLICATION SUPPORT BULLETIN**

## **SUBJECT**

**Equipment required for typical SCADA 3000 remote site using a standard telephone line**

### **Bill of Materials (item numbers from sheet 2)**

- ① **SCADA 3000 RTU.** Includes 16 universal inputs and 8 relay outputs. If more I/O is needed, you may add up to 15 SCADA 3000 expansion modules.

Phonetics Part # FGD-3000

For SCADA 3000 to communicate using a telephone line at least one of the following modules is required:

Phonetics Part # FGD-3400: Modem module for RTU. Adds 33.6Kbps modem for phone line data communications. Enables the RTU to communicate via modem with PC's, alphanumeric pagers, fax machines, and e-mail addresses.

Phonetics Part # FGD-3500: Voice module for RTU. Adds custom voice capability over standard phone lines. Enables the RTU to provide voice dial-out alarms and call-in status reports containing user-recorded descriptive voice messages.

- ② **SCADA 3000 DC power supply**

This device supplies 15V DC to power the SCADA 3000 RTU and any I/O expansion modules. Phonetics offers two power supplies as accessories.

Phonetics Part # FGD-3100: Hard-wired power supply for 110V or 220V operation. The 110V or 220V source voltage must be hard-wired to the screw terminals on this power supply.

Phonetics Part # FGD-3110: Plug-in power supply for 110V operation. Plugs into a standard 110V outlet receptacle.

Notes on powering the SCADA 3000:

SCADA 3000 is designed to be powered from a 10-15V DC power supply (15V required to charge an external battery). This wide operating voltage permits the unit to be powered from 12V solar cells in truly remote applications. However, most applications will have 120VAC available and we recommend using one of the 15VDC power supplies listed above.

- ③ **Backup Battery (optional)**

In the event of a power failure, SCADA 3000 can continue to operate if connected to a sealed lead-acid gel-cell rechargeable battery. Phonetics offers two battery kits as accessories.

Phonetics Part # FGD-3200: Standard 5AH Battery & Mounting Kit.

Dimensions: 3.54" x 2.76" x 4.02"

Provides 12-20 hours of backup time for the SCADA 3000 main RTU and up to 2 I/O expansion modules.

Phonetics Part # FGD-3210: Extended 17AH Battery & Mounting Kit.

Dimensions: 7.13" x 3.00" x 6.58"

Provides over 24 hours of backup time for the SCADA 3000 main RTU and up to 4 I/O expansion modules.