

# Wet Media Differential Pressure Remote Transducer

## PWR Series



### 3-Wire Device, User Selectable Output

#### FEATURES

- Armor cable or conduit connector minimizes the need for field customization
- Remote probes reduce need for plumbing or bypass assemblies...lower costs and reduced labor for installation
- Pushbutton zero calibration – no trim pots to adjust.....maintain accuracy and prevent callbacks with automatic zero calibration
- Switch-selectable pressure ranges...fewer models to order and stock

#### DESCRIPTION

The PWR Series remote wet media pressure transducers allow remote pressure sensing capability using existing plumbing runs. With no need to run plumbing lines all the way to the transducer, the installation time and cost is greatly reduced. Select either armored (6 ft.) or shielded (10 or 20 ft.) cable, depending on the application.

#### APPLICATIONS

- Monitoring and controlling pump differential pressure
- Chiller/boiler differential pressure drop
- CW/HW system differential pressure

#### SPECIFICATIONS

5 Year  
Warranty

<b>Input Power</b>	Class 2; 15 to 30VDC, 24VAC nom. 50/60 Hz*
<b>Maximum Current Draw</b>	DC: 125mA; AC: 280mA
<b>Output</b>	3-wire transmitter; user-selectable 4-20mA/0-5V/0-10V
<b>SENSOR</b>	
<b>Media Compatibility</b>	17-4 PH stainless steel
<b>Status Indication</b>	Dual color LED
<b>Proof Pressure</b>	2x max. F.S. range**
<b>Burst Pressure</b>	5x max. F.S. range**
<b>Accuracy at 25°C***</b>	Ranges A and B: $\pm 1\%$ F.S. typical; Range C: $\pm 1.5\%$ F.S. typical; Range D: $\pm 2\%$ F.S. typical. (For less than or equal to 20 ft. (6.1 m) cable length)
<b>Surge Damping</b>	Electronic; 1 or 5 second averaging
<b>Long Term Stability</b>	$\pm 0.25\%$
<b>Zero Offset (Bidirectional and Port Swap Modes Only)</b>	0.5%
<b>REVERSER</b>	
<b>Zero Adjust</b>	Pushbutton auto-zero and digital input (2-position terminal block)
<b>Fittings</b>	1/8" NPT female thread, stainless steel 17-4 PH  Overall thread length: 0.5946" (conforms to ANSI/ASME B1.20.1 standard)
<b>PRESSURE RANGES</b>	
<b>0-50 psig (Gauge)</b>	5/10/25/50 psid (Differential)
<b>0-100 psig (Gauge)</b>	10/20/50/100 psid (Differential)
<b>0-250 psig (Gauge)</b>	25/50/125/250 psid (Differential)
<b>OPERATING CONDITIONS</b>	
<b>Temperature Compensated Range</b>	0° to 50°C (32° to 122°F); TC Zero <1.5% of product F.S. per sensor; TC Span <1.5% of product F.S. per sensor
<b>Sensor Operating Range</b>	-20° to 85°C (-4° to 185°F)
<b>Operating Environment</b>	-10° to 50°C (14° to 122°F); 10-90% RH noncondensing
<b>COMPLIANCE INFORMATION</b>	
<b>Approvals</b>	RoHS, CE, NEMA4, IP65 at sensor

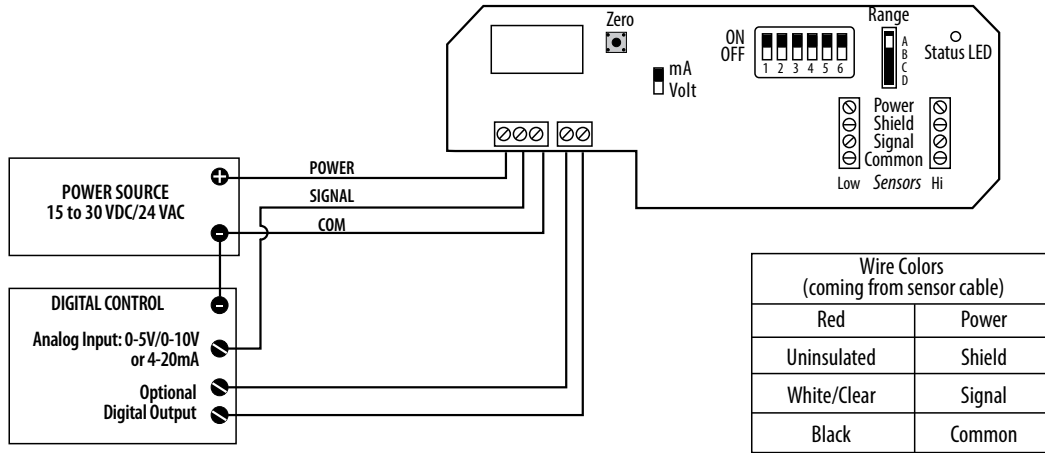
\* VFD systems and system wiring generate fields that can disrupt electrical devices.

Ensure that these fields are minimized and are not affecting the sensor or sensor wiring.

\*\* F.S. is defined as full span of selected range.

\*\*\* Accuracy combines linearity, hysteresis, and repeatability.

**WIRING DIAGRAM**

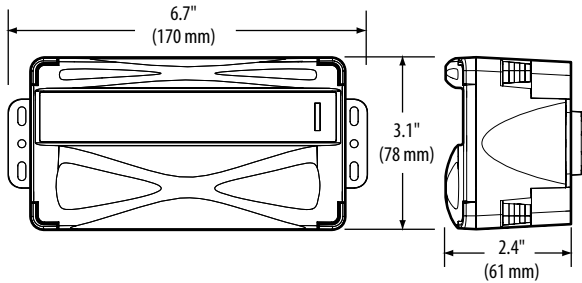


Model	Range			
	A	B	C	D
-03	50	25	10	5
-04	100	50	20	10
-05	250	125	50	25

DIP Switches		
Num	Function	Off/On*
1	Damping	Fast/Slow
2	Test	Operate/Test
3	Mode	Normal/Bidirec.
4	Analog	Normal/Reverse
5	Port	Normal/Swap
6	Voltage Out**	0-10V/0-5V

\* "Off" position is the default setting for all DIP switches.  
 \*\* Ignored in mA mode.

**DIMENSIONAL DRAWING**



**ORDERING INFORMATION**



<b>Display</b>	<b>NIST</b>	<b>Operational Range†</b>	<b>Media</b>	<b>Cable Length</b>	<b>Cable</b>
<b>L</b>	<b>X</b>	<b>03</b>	<b>S</b>	<b>006</b>	<b>Blank</b>
= LCD Display	= None	03 = 0-50 psig 04 = 0-100 psig 05 = 0-250 psig	= Water	006 = 6 ft. (1.8 m) 010 = 10 ft. (3.1 m) 020 = 20 ft. (6.1 m)	Blank = Standard** A = Armored†

**Example:**  
**PWRLX 03 S 020 A**

† Select operational range according to maximum gauge pressure, NOT differential pressure. Example: High gauge pressure=90 psig, Select 100 psig model (04).  
 †† Standard cable available only in 10 ft and 20 ft lengths.  
 ‡ Armored cable available only in 6 ft length.  
 Note: Extension of total cable length greater than 20 feet may result in reduced accuracy.

**ACCESSORIES**

- Snubbers, brass, 1/4" NPT (AA69)
- Snubbers, stainless steel, 1/4" NPT (AA70)
- Steam siphon (AA13)
- 3/4" EMT conduit connector for the PWR remote sensor (AA67)
- 1/4" ball valve for the PWR remote sensor (AA68)

