

MSBPA1x



MSBPA1x

Wall Switch Replacement Occupancy Sensors

Installer's Specifications

Input	120 or 277 VAC ±10% 60 Hz
Output	120 VAC, 1000 W max. tungsten incandescent load; 1000 VA max. ballast load; ¼ hp max. motor load; 277 VAC; 1800 VA max. ballast load
Temperature	0° to 50°C (32° to 122°F)
Humidity	Max. 90% RH non-condensing
Agency Approvals	UL and cUL Listed; FCC part 15 for Home and Office Use (Class B)

OPERATION

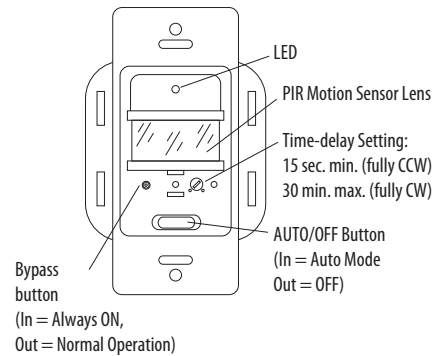
MSBPA1x wall switch occupancy sensors use passive infrared technology (PIR) to combine occupancy detection and voltage switching in a single package. The MSBPA1x replaces existing standard light switches in home or office environments, providing major motion detection up to 1000 sq. ft., and minor motion detection up to 400 sq. ft., over a 180° range. The sensor is equipped with an Auto/Off button to switch between automatic activation and off, while a bypass button provides "always on" capability. The time delay before the switch deactivates is user adjustable from 15 seconds to 30 minutes.

NOTICE

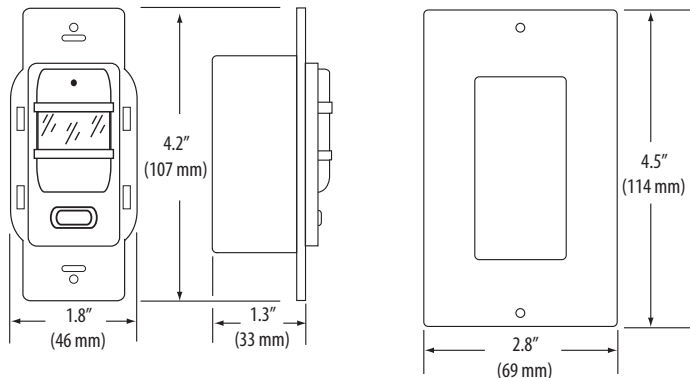
- This product is not intended for life or safety applications.
- Do not install this product in hazardous or classified locations.
- Read and understand the instructions before installing this product.
- Turn off all power supplying equipment before working on it.
- The installer is responsible for conformance to all applicable codes.

PRODUCT IDENTIFICATION

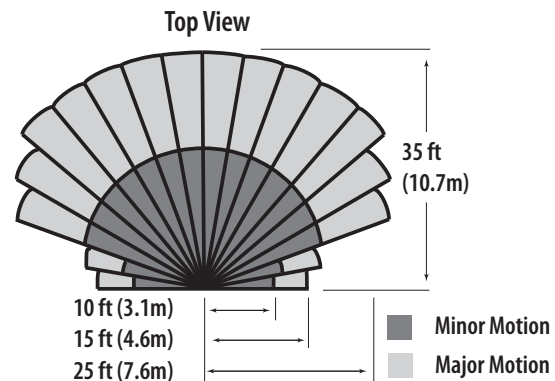
Sensing Technology	Turn On	# of circuits	Color
MSB P = Passive Infrared (PIR)	A = Automatic	1	W = White V = Ivory



DIMENSIONS

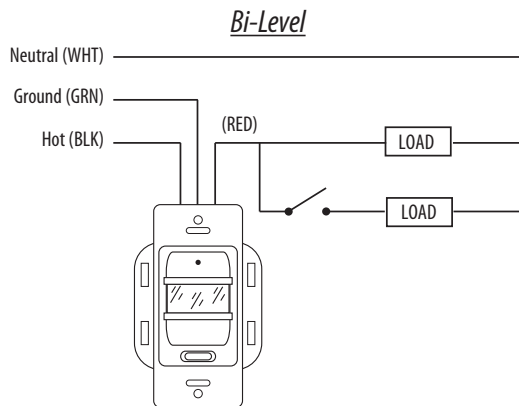
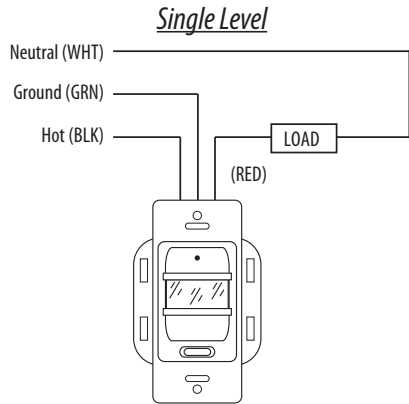


COVERAGE PATTERNS



INSTALLATION AND WIRING

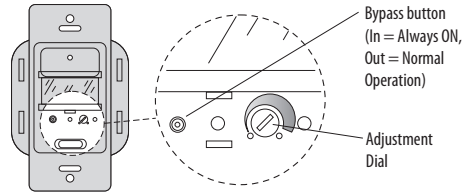
1. Turn off power at the circuit breaker. Use a properly rated voltage sensing device to confirm power is off.
2. Remove existing wall switch, if applicable.
3. Wire the sensor according to the applicable wiring diagram below.



4. Mount sensor in electrical box and secure with two captive screws. Ensure that sensor has an unobstructed view of the entire coverage area.
 5. Attach wall plate (included) with two screws provided.
 6. Turn on power at the circuit breaker.
 7. Place the sensor in Auto mode by pushing Auto/Off button so that it latches in the inward position (in = Auto mode, out = always off). In Auto mode, when motion is detected, the red LED at the top of the sensor flashes on for approximately 0.5 seconds, and the lights turn on or remain on.
- Note: When first installed, the sensor may have to warm up for a few minutes before it is fully operational.
8. Vacate the room until the lights turn off.
 9. Re-enter the room. Lights should turn on immediately. If not, check the wiring and ground connection and toggle the Auto/Off button.

Adjustment:

1. Remove the adjustment access cover (located between the sensor lens and Auto/Off button) by gently prying it off with a small, flathead screwdriver.



2. Time Delay: The Time Delay determines how long the lights will stay on when motion is no longer detected. Turn the adjustment dial to the desired setting: from 15 sec. (fully counter-clockwise) to 30 min. (fully clockwise).
3. Disable: To disable the sensor, push the Auto/Off button so it latches in the outward (always off) position. The lights will not come on.
4. Bypass: A latching bypass button is provided on the wall plate. In = Always On, Out = Normal Operation.
5. Masking (optional): To reduce unwanted motion sensing, such as people moving in adjacent areas, partially mask the sensor lens with opaque adhesive tape (not included).
6. Replace the adjustment access cover by gently snapping it in place.