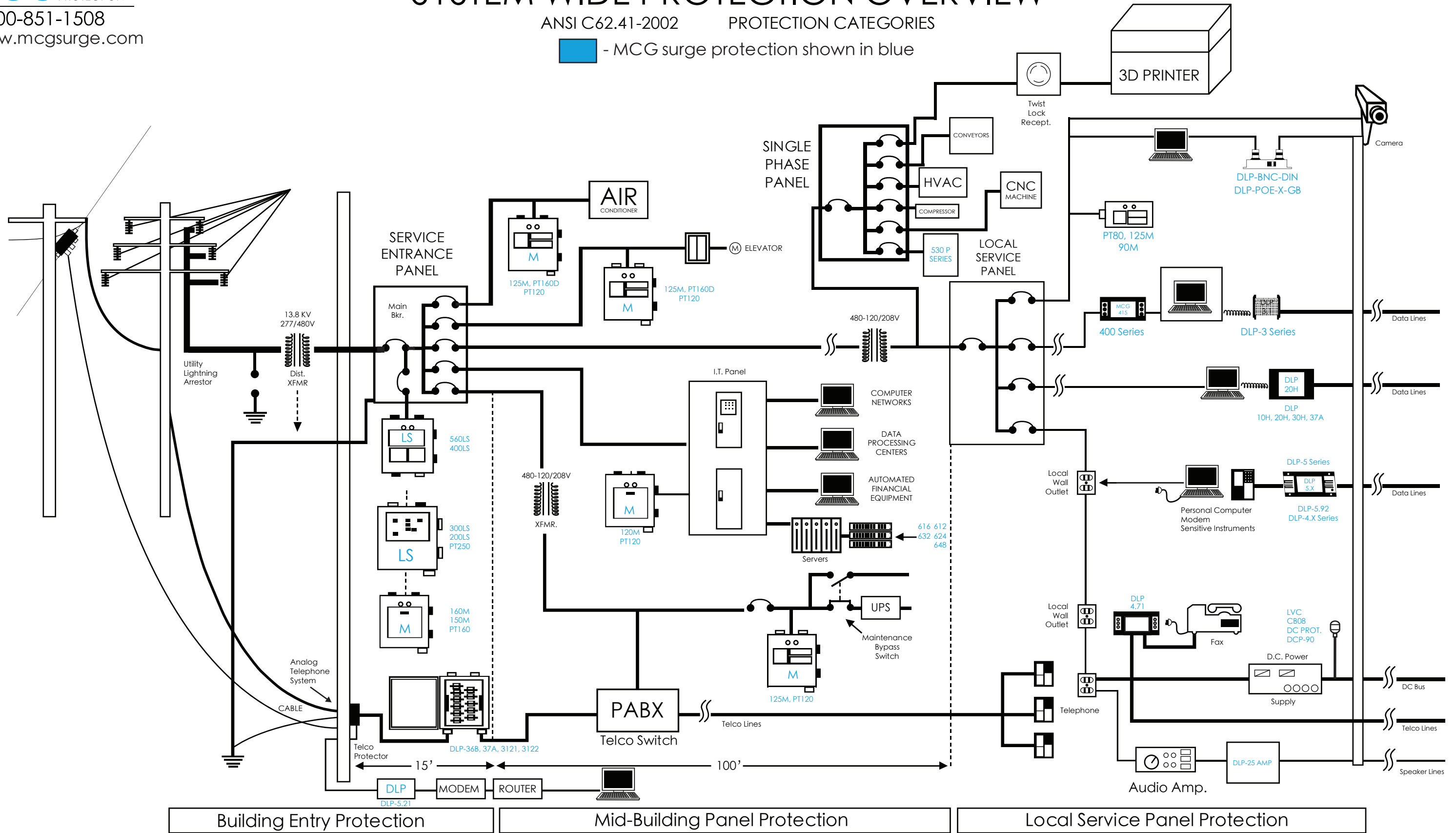


# SYSTEM WIDE PROTECTION OVERVIEW

ANSI C62.41-2002 PROTECTION CATEGORIES

  - MCG surge protection shown in blue



Building Entry Protection				Mid-Building Panel Protection				Local Service Panel Protection					
IEEE Location	1.2/50µs	8/20µs		1.2/50µs	8/20µs	0.5 µs	100KHz	IEEE Location	0.5 µs	100KHz			
Cat. C	C3	20KV	10KA	Cat. B	B3	6KV	3KA	500A	6KV	Cat. A	A3	6KV	200A