

Current Switches: Adjustable Trip Point, High Voltage Output

Detect Belt Loss, Coupling Shear, And Mechanical Failure



DESCRIPTION

Hawkeye x09 Series are high performance current switches, ideal for line voltage loads. The devices are powered by the current being monitored.

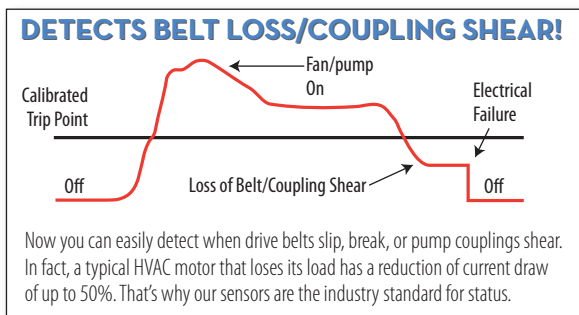
APPLICATIONS

- Detecting belt loss, coupling shear, mechanical failure, and interlocking loads
- Verifying lighting circuit and other electrical service run times
- Monitoring status of industrial process equipment
- Monitoring status of critical motors (compressor, fuel, etc.)

FEATURES

- The H809 has a low (0.75 A) minimum setpoint...eliminates the need for multiple wraps of the conductor through the sensor even on loads as small as 1/5 HP
- H609 and H809 are small in size to fit easily inside small starter enclosures
- Removable mounting bracket optimizes field versatility
- Bracket on H909 can be installed in three different configurations... added flexibility
- Status LEDs for easy setup and local indication
- Adjustable trip point...precise current trip point setting
- Detect belt loss and mechanical failure...ideal for fan/pump status monitoring
- Easier to install than differential pressure switches...eliminates long wiring runs
- 100% solid state...no moving parts to fail
- 5-year warranty

CURRENT MONITORING



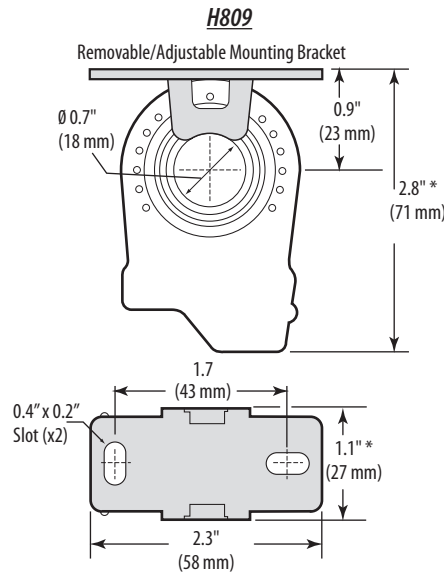
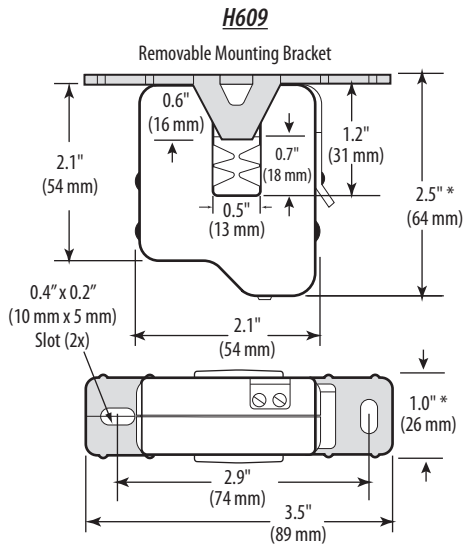
SPECIFICATIONS



Sensor Power	Induced from monitored conductor
Insulation Class	600VAC RMS
Frequency Range	50/60 Hz
Temperature Range	-15° to 60°C (5° to 140°F)
Humidity Range	10-90% RH non-condensing
Hysteresis	10% (typical)
Terminal Block Wire Size	24-14 AWG (0.2 to 2.1 mm ²)
Terminal Block Torque	3.5 to 4.4 in-lbs (0.4 to 0.5 N-m)
Agency Approvals	UL 508 open device listing; CE: EN61010-1:2001-02, CAT III, pollution degree 2, basic insulation

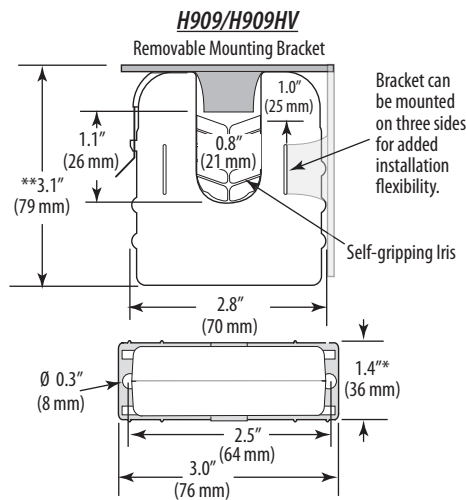
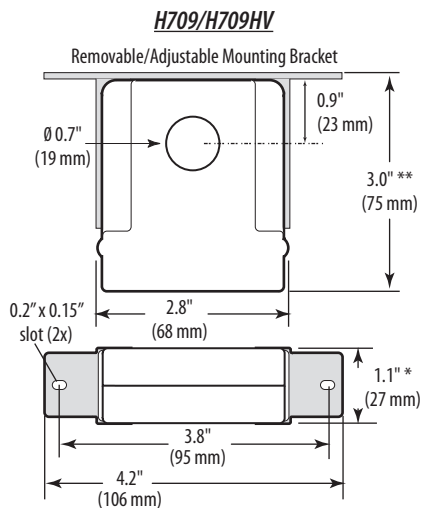
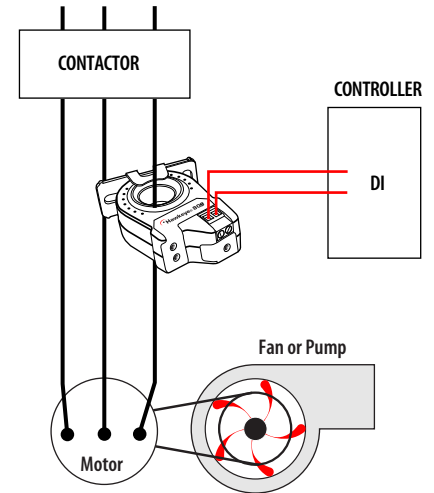
Do not use the LED status indicators as evidence of applied voltage

DIMENSIONAL DRAWINGS



* Terminal block may extend up to 1/8" over the height dimensions shown.

APPLICATION/ WIRING DIAGRAM



ORDERING INFORMATION



MODEL	AMPERAGE RANGE	STATUS OUTPUT (max.)	MIN. TRIP POINT	STATUS LED	HOUSING	UL	CE	RoHS
H609	1.25 - 50A	N.O. 0.2A@120VAC/DC	1.25A or less	●	Split-core	● ¹		●
H709	1 - 135A	N.O. 0.2A@120VAC/DC	1.0A or less	●	Solid-core	●		
H709HV	1 - 135A	N.O. 1.0A@250VAC	1.0A or less		Solid-core		●	
H809	0.75 - 50A	N.O. 0.2A@120VAC/DC	0.75A or less	●	Solid-core	● ¹		●
H909	2.5 - 135A	N.O. 0.2A@120VAC/DC	2.5A or less	●	Split-core	●		
H909HV	2.5 - 135A	N.O. 1.0A@250VAC	2.5A or less		Split-core		●	

¹ Listed for use on 75°C insulated conductors.

ACCESSORIES

DIN Rail Clip Set (AH01)
DIN Rail (AV01) and DIN Stop Clip (AV02)

