



HWS Series

LCD Wall Mount with Analog Setpoints,
Humidistat Control



NOTICE

- This product is not intended for life or safety applications.
- Do not install this product in hazardous or classified locations.
- Read and understand the instructions before installing this product.
- Turn off all power supplying equipment before working on it.
- The installer is responsible for conformance to all applicable codes.

No responsibility is assumed by Veris Industries for any consequences arising out of the use of this material.

Product Overview

The HWS analog series measures humidity of the air inside a room. Devices are designed for use in hospital rooms, laboratories, and other spaces that require precise environmental control. The keypad allows control of setpoint values. The slide switch position determines the output type (amp or volt). To maintain accuracy, keep vents clear of dust, debris, etc. The HWS is warranted for period of five years.

Product Identification

	Accuracy	NIST	Setpoint	
HWS	<input type="checkbox"/>	<input type="checkbox"/>	<input checked="" type="checkbox"/> A	<input type="checkbox"/> S
	1 = 1%	N = NIST (1 & 2% only)	= Analog	= CE
	2 = 2%	X = No (2, 3, 5% only)		
	3 = 3%			
	5 = 5%			

Specifications

Input Power	15 to 30VDC/24VAC, 100mA max.
Outputs	Switch-selectable amp or volt If volt is selected, the configuration menu allows selection between 0-5V or 0-10V
RH Sensor*	Digitally profiled thin-film capacitive (32-bit mathematics) U.S. Patent 5,844,138
RH Accuracy at 25°C from 10-80% RH** (Multi-point Calibration NIST traceable)	±2%, 3%, or 5% models, ±1% at 20-50% RH
Reset Rate***	24 hours
Stability	±1% @ 20°C (68°F) annually, for two years
Hysteresis	1.5% (typical)
Linearity	Included in Accuracy spec.
Operating Humidity Range	0-100% RH (non-condensing)
Temperature Coefficient	± 0.1%RH/°C above or below 25°C (typical)
Operating Temperature Range	10° to 35°C (50° to 95°F)
Analog Output Scaling	0-100% RH
Calibration Offset	Adjustable ±9.9% in 0.1% increments
Setpoint Range	10-80% RH in 1% increments

* The HS sensing element has a 1-year warranty. The element is not a part of the 5-year product warranty.

** Accuracy is specified with 24 VDC supplied power with rising humidity.

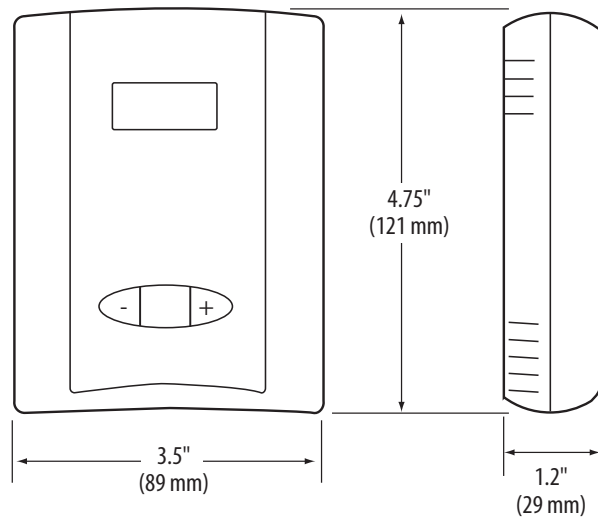
*** Reset Rate is the time required to recover to 50% RH after exposure to 90% RH for 24 hours.

One side of the transformer secondary is connected to the signal common, so an isolation transformer or dedicated power supply may be required.

RTD/Thermistors in wall packages are not compensated for internal heating of the product.

EMC Special Note: Connect this product to a DC distribution network or an AC/DC power adaptor with proper surge protection (EN 61000-6-1:2007 specification requirements).

Dimensions

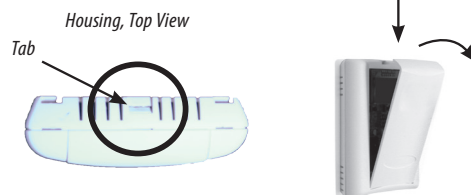


Installation

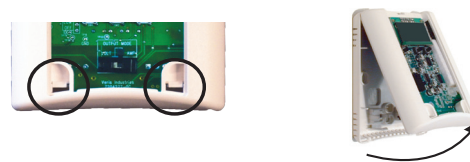


Observe precautions for handling static sensitive devices to avoid damage to the circuitry that is not covered under the factory warranty.

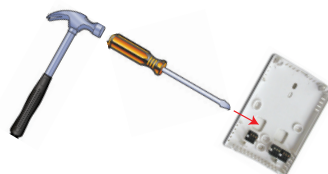
1. Locate the tab at the top of the sensor housing. Using only the minimum required force, press this tab down and pull the cover outward from the top. Set the cover aside.



2. Remove the backplate by unfastening the sensor from the bottom of the backplate and pivoting the sensor outward.



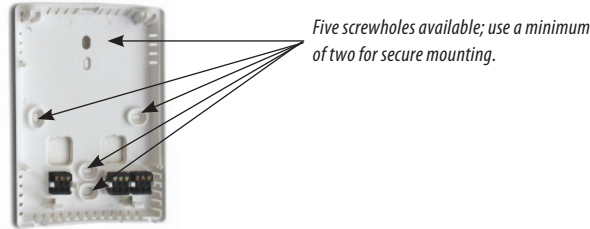
3. Punch out wire opening in the backplate.



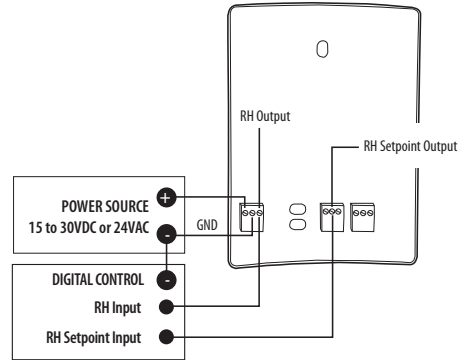
4. Position the backplate vertically on the wall, 4 ½ feet (1.4 m) above the floor. Locate away from windows, vents, and other sources of draft.

Installation (cont.)

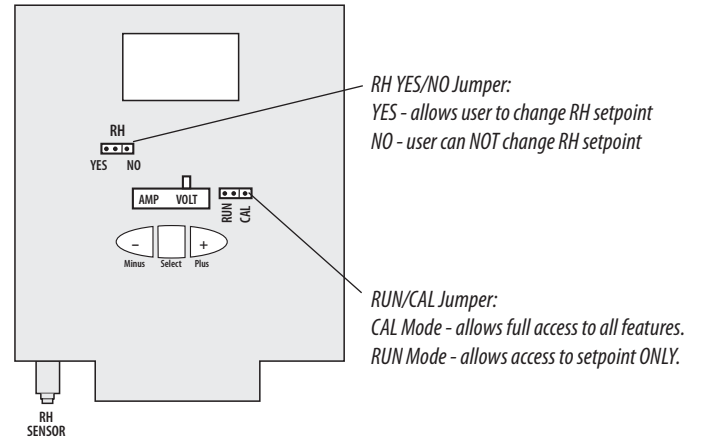
5. Mount the backplate onto the wall using the screws provided.



6. Wire the backplate.



7. Install and configure the sensor.



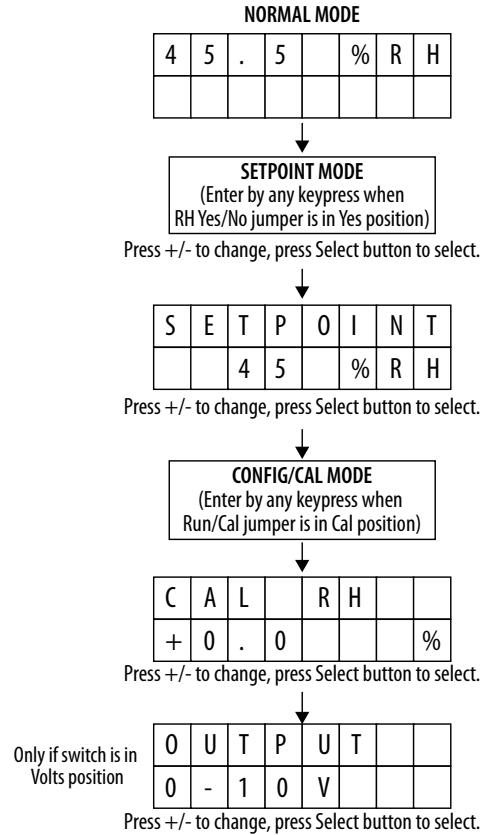
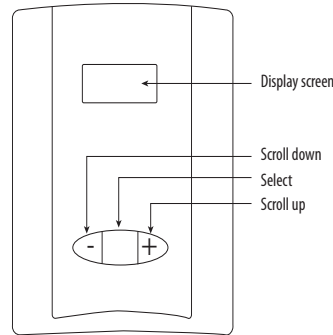
NOTICE
RISK OF EQUIPMENT DAMAGE
Ensure that the output selection is correct before applying power.
Failure to follow these instructions may result in permanent equipment damage.

8. When the installation is complete, replace the cover and snap it into position.



Calibration Instructions Menu Options

1. To calibrate, move the RUN/CAL jumper to the CAL position.
2. Relative humidity allows for a calibration offset of $\pm 9.9\%$ RH, at the user's discretion.

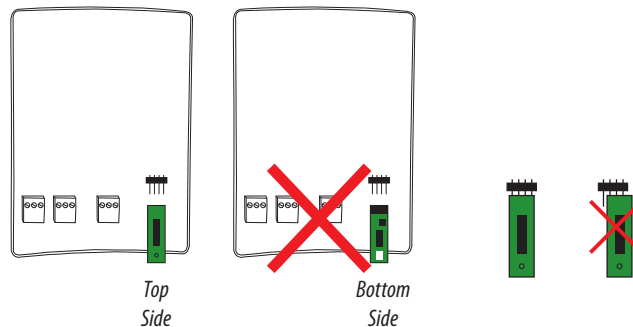


Replacing the HS Element



Observe precautions for handling static sensitive devices to avoid damage to the circuitry that is not covered under the factory warranty.

1. Disconnect power to the unit.
2. Remove the faceplate.
3. Remove the HS element by gently pulling from the pin connector.
4. Place a new HS element onto the pin connector. Orient as shown, or the unit will not function. Ensure that the four HS pin holes are inserted fully onto the unit pin connectors.



5. Replace the faceplate.