

Current Sensors with Relay: 4-20mA Analog Output

Load Trending And Control Relay In One Package



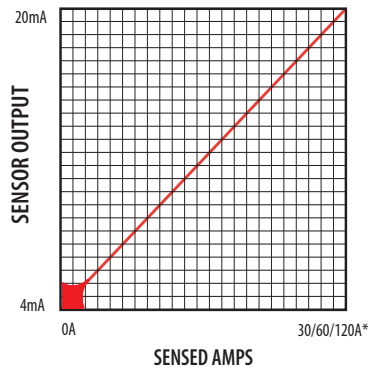
DESCRIPTION

The Hawkeye 931 and 951 provide accurate load trending information with a proportional 4-20mA output signal. These devices offer three amperage ranges for versatility, with easy slide-switch selection. The command relay is fully integrated in the device, but it is isolated from the current sensor. This combination makes these products ideal for start/stop control and status monitoring of motors, using one device instead of two.

APPLICATIONS

- Load trending
- Motor control
- Positive proof of flow

EXAMPLE LINEAR OUTPUT
Scale software as shown



*Factory calibrated ranges selected with the amperage range switch

FEATURES

- Loop-powered analog current sensor with integral start/stop command relay
- Reduces the number of installed components...saves time and space
- Self-gripping split-core for fast retrofit installation...no need to remove conductor
- One device to install for start/stop & status...reduces installation charges
- Power the current sensor and receive the 4-20mA signal with only two wires... fewer wires required than with traditional 3-wire sensors
- Selectable factory calibrated ranges up to 120A for increased flexibility and resolution
- Factory calibrated switch-selectable ranges (30/60/120A) for high resolution and installation ease
- No jumpers on unit...reduce installation error
- Removable mounting bracket for installation flexibility
- Bracket can be installed in three different configurations...added flexibility
- Command relay switches up to 5A@250VAC
- 5-year warranty



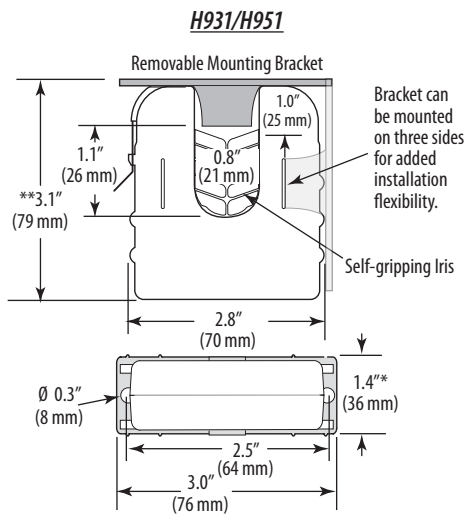
SPECIFICATIONS



Sensor Power	30mA (max.)@12-30VDC
Insulation Class	600VAC RMS
Frequency Range	50/60 Hz
Temperature Range	-15° to 60°C (5° to 140°F)
Humidity Range	10-90% RH non-condensing
Accuracy	±2% F.S. from 10% to 100% (selected range)
Response Time	2 sec.
Terminal Block Wire Size	24-14 AWG (0.2 to 2.1 mm ²)
Terminal Block Torque	3.5 to 4.4 in-lbs (0.4 to 0.5 N-m)
Agency Approvals	UL 508 open device listing

Do not use LED status indicators as evidence of applied voltage

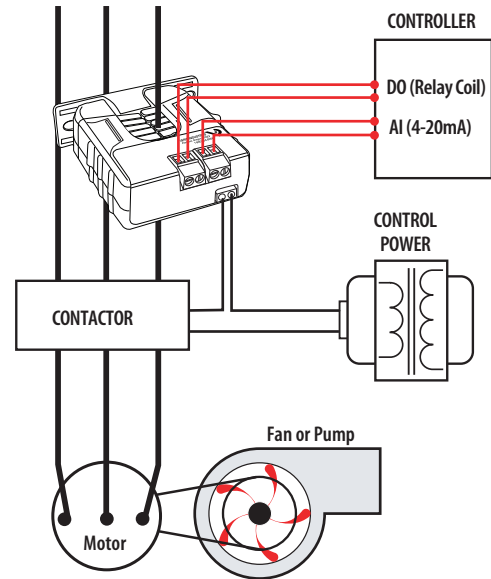
DIMENSIONAL DRAWING



* Terminal block may extend up to 1/8" over the height dimensions shown.
 ** Slide switch may extend up to 1/4" over the height dimensions shown

APPLICATION/WIRING DIAGRAM

Trending & Controlling Motor Loads with the Hawkeye 931



RELAY CONTACT RATINGS (N.O.)	
Resistive.....	5A(r)@250VAC 5A(r)@30VDC
Inductive.....	2A(r)@250VAC 2A(r)@30VDC

TYPICAL COIL PERFORMANCE	
Voltage	AC DC
24	15 15
12	20
Pull In Voltage (H951 only)	
12VDC	8.4VDC
Drop Out Voltage (H951 only)	
12VDC	3.0VDC

ORDERING INFORMATION



MODEL	AMPERAGE RANGE	SENSOR OUTPUT	RELAY TYPE	RELAY COIL	RELAY	RELAY POWER LED	UL
H931	0 - 30/60/120A	4 - 20mA	SPST, N.O.	24VAC/DC	●	●	●
H951				12VDC nom.	●	●	●

ACCESSORIES

DIN Rail Clip Set (AH01)
 DIN Rail (AV01) and DIN Stop Clip (AV02)

