

Field Mount Motor Control Device

Line and Low Voltage Separated Fractional Motor Status with Command Relay



Hawkeye™

H40

DESCRIPTION

The **Hawkeye 40 Series** combines a switching relay, a current status sensor, and a Hand-Off-Auto (HOA) switch into a single nipple-mounted housing. The low voltage and line voltage wires are functionally separated from each other. A hinged lid on the low voltage side allows easy relay connection and trip point adjustment, while the high voltage side is closed for added safety. The H40 is connected in series between the power source and the motor, and the relay and HOA switch control the on/off functioning of the motor.

APPLICATIONS

- Monitoring status and controlling small motor loads that are not driven by a motor starter or contactor
 - Exhaust fans
 - Unit ventilators
 - Fan terminal units
 - Fan coil units
 - Recirculating pumps

FEATURES

- Separate high and low voltage sections...fast and economical installation by low voltage electricians
- Combines status sensor, command relay, and HOA switch in a single series circuit...one line connection for three devices
- Remote mounted enclosure eliminates the need to cram multiple devices into a junction box
- HOA provides true relay control...ideal for troubleshooting control wiring
- SPST relay is field-selectable for N.O. or N.C. operation (some models)
- 5-year warranty

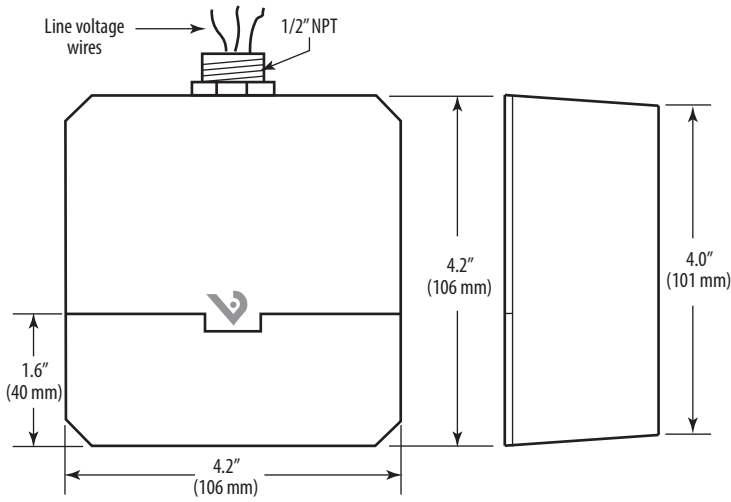
SPECIFICATIONS



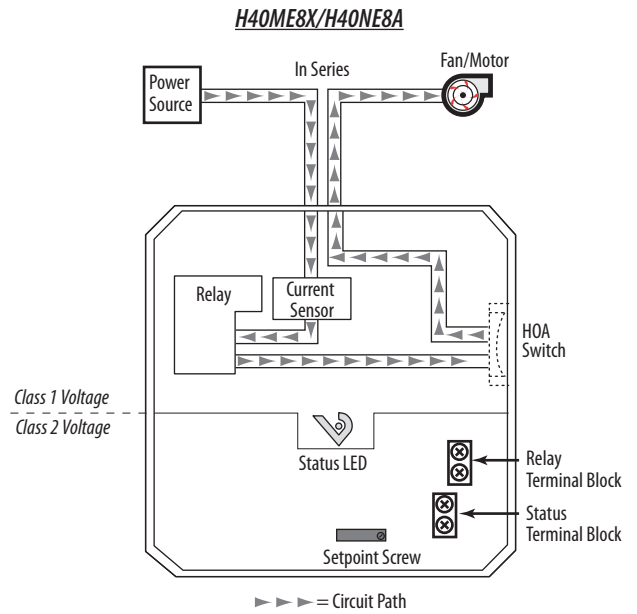
Sensor Power (H40NE8A and H40ME8X only)	Induced
Operating Temperature Range	-15°C to 50°C (5° to 122°F)
Operating Humidity Range	0-95% RH non-condensing
Frequency Range	50-60 Hz
Wire to Relay Contacts	H40 NE8A, H40NEXA, H40ME8X, H40MEXX: use 12 AWG (3.3 mm ²) or larger wire H40BAXA, H40AAXX: use 16 AWG (1.3 mm ²) or larger wire
Low Voltage Terminal Block Wire Size	24-14 AWG (0.2 to 2.1 mm ²)
Low Voltage Terminal Block Torque	3.5 to 4.4 in-lbs (0.4 to 0.5 N-m)
Relay:	
Relay Contact Ratings	H40NE8A, H40NEXA: 16A@120/250VAC, 12A@277VAC, 1HP@120VAC, 8A@28VDC H40ME8X, H40MEXX: SPDT 16A@120/277VAC, 1HP@120VAC, 2HP@277VAC, 16A@28VDC H40BAXA: 10A@120/240/277VAC, 1/3HP@120VAC, 8A@28VDC H40AAXX: SPDT 10A@120/240/277VAC, 1/3HP@120VAC, 10A@28VDC
Relay Coil Ratings	H40NE8A, H40ME8X, H40MEXX, H40NEXA: 24VDC 45mA nom.; 24VAC 78mA nom.; Class 2* H40AAXX, H40BAXA: 10-30VAC@24-38mA; 10-30VDC@10-16mA; Class 2*
Agency Approvals	UL 508 open device listing

* In addition, coil input from other sources may be used as detailed in NEC 2008, Article 725.121.

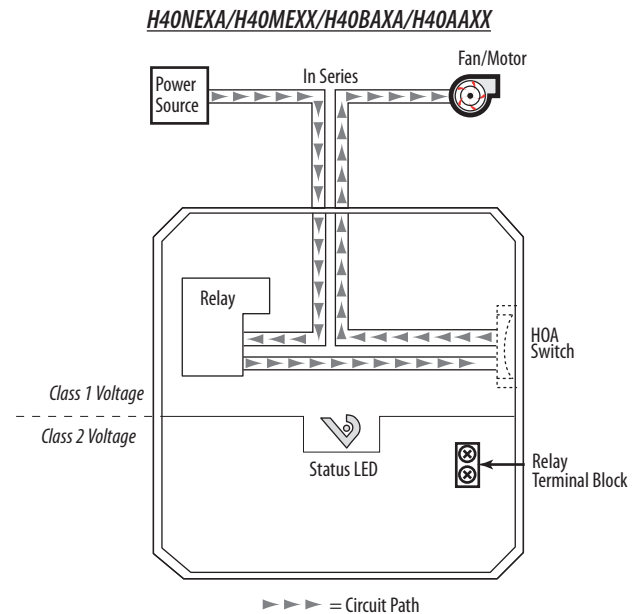
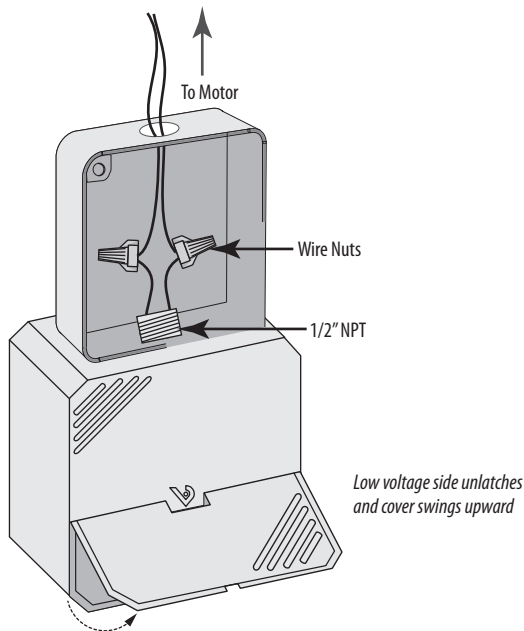
DIMENSIONAL DRAWING



APPLICATION/WIRING DIAGRAM



MOUNTING OPTIONS



CURRENT MONITORING

ORDERING INFORMATION



MODEL	AMPERAGE RANGE	STATUS OUTPUT	TRIP POINT	RELAY	RELAY COIL	HOA SWITCH	UL	RoHS
H40NE8A	0.25 - 16A	N.O. 1.0A@30VAC/DC	Adjustable	SPST, N.O	24VDC 45mA nom. 24VAC 78mA nom.	●	●	●
H40ME8X	0.25 - 16A	N.O. 1.0A@30VAC/DC	Adjustable	SPST, FS N.O. or N.C.	24VDC 45mA nom. 24VAC 78mA nom.		●	●
H40NEXA	0.25 - 16A	Relay only		SPST, N.O	24VDC 45mA nom. 24VAC 78mA nom.	●	●	●
H40MEXX	0.25 - 16A	Relay only		SPST, FS N.O. or N.C.	24VDC 45mA nom. 24VAC 78mA nom.		●	●
H40BAXA	0.25 - 10A	Relay only		SPST, N.O	10-30VAC@24-38mA 10-30VDC@10-16mA	●	●	●
H40AAXX	0.25 - 10A	Relay only		SPST, FS N.O. or N.C.	10-30VAC@24-38mA 10-30VDC@10-16mA		●	●