

# Field Mount Status Relay



## SPST Status Relay With Integral Current Switch

### DESCRIPTION

The H120 and H120NC offer a fixed current switch and SPST relay in a single externally mounted housing. Combining the current sensor and relay in one easy-to-install package eliminates the need to fit multiple devices into small electrical enclosures and simplifies the installation. Eliminate the labor associated with installing a separate current sensor.

### APPLICATIONS

- Unit Ventilators
- Fan Coil Units
- Exhaust Fans
- Fan Terminal Units
- Fractional HP Motors
- Light Resistive Loads

### FEATURES

- The current switch and relay are in series...connect the contacts to the load and your current switch is automatically installed
- The nipple mount housing can be connected to any 1/2" conduit knockout for installation versatility
- Relay coil LED streamlines job commissioning and check out
- HP ratings make the H120 ideal for control and status of fractional HP motors
- 5-year warranty
- NEMA 1 rated housing may be used in plenum spaces
- Can be externally mounted to the electrical enclosure...space saver
- 0.1A turn-on...easily monitors the smallest motors

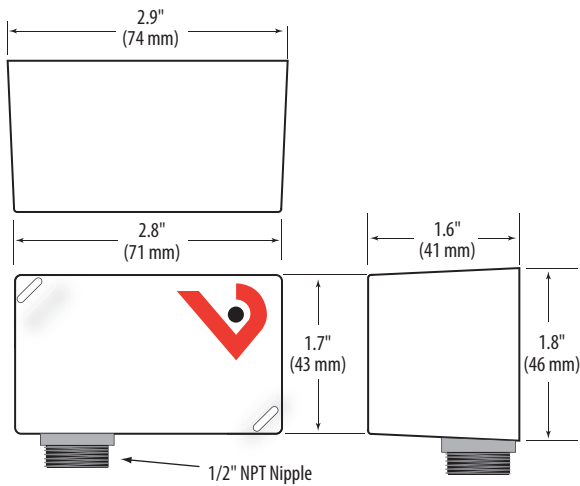
### SPECIFICATIONS



<b>Sensor Power</b>	Induced from relay coil power
<b>Operating Temperature</b>	-15° to 60°C (5° to 140°F) (13.8A max.), -15° to 50°C (5° to 122°F) (20A max.)
<b>Operating Humidity</b>	10-90% RH non-condensing
<b>Expected Relay Life (mechanical)</b>	10 million cycles
<b>Relay Status</b>	LED ON=energized
<i>Wire Specifications:</i>	
<b>Lead Length</b>	14" (356 mm) min.
<b>Gauge</b>	UL1015; Coil: 18 AWG; Contacts: 12 AWG; Status: 16 AWG
<b>Agency Approvals</b>	UL 508 open device listing

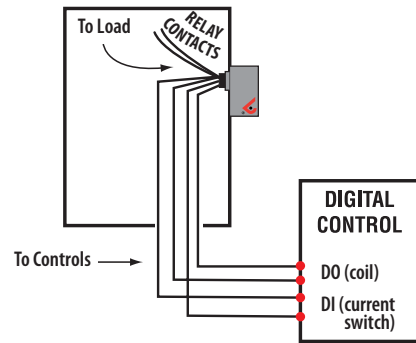
Do not use the LED status indicators as evidence of applied voltage.

## DIMENSIONAL DRAWING

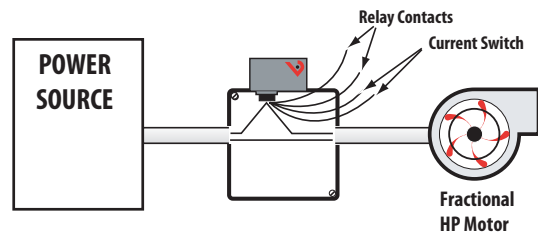


## APPLICATION/WIRING DIAGRAMS

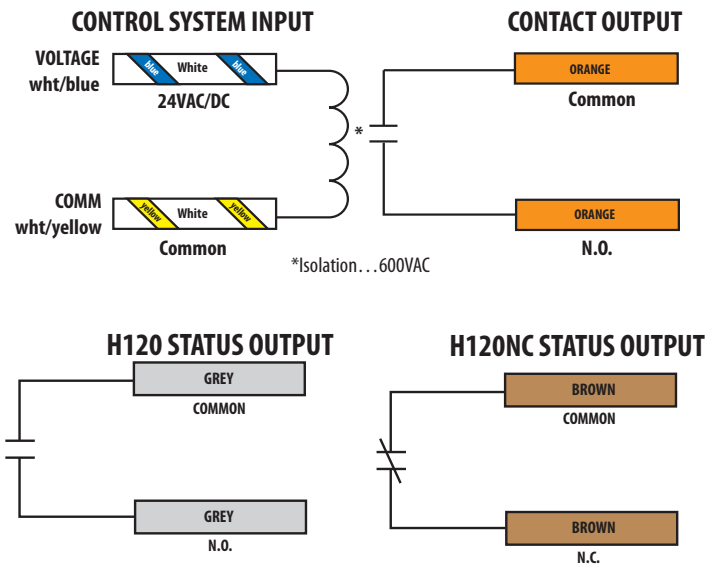
*Nipple mount directly to a panel*



*Nipple mount to 4x electrical box*



## WIRE COLOR CODES



## RELAY CONTACT RATINGS (N.O.)

Resistive.....	20A(r)*@277VAC/28VDC (250,000 Cycles)
Motor.....	120VAC, 1HP 208VAC, 1HP 250VAC, 2HP 277VAC, 2HP
Ballast.....	277VAC, 20A
Tungsten.....	120VAC, 10A

## TYPICAL COIL PERFORMANCE

Voltage	Coil Current	
	AC	DC
24V.....	75mA	32mA

\*See operating temperature specification

CURRENT MONITORING

## ORDERING INFORMATION



MODEL	AMPERAGE RANGE	COIL	RELAY	STATUS OUTPUT	TRIP POINT	HOUSING	RELAY POWER LED	UL
H120	0.1A - 20A	24VAC/DC	SPST, N.O.	N.O. 100mA@30VAC/DC	0.1A or less	Nipple Mount	●	●
H120NC				N.C. 100mA@30VAC/DC			●	●