



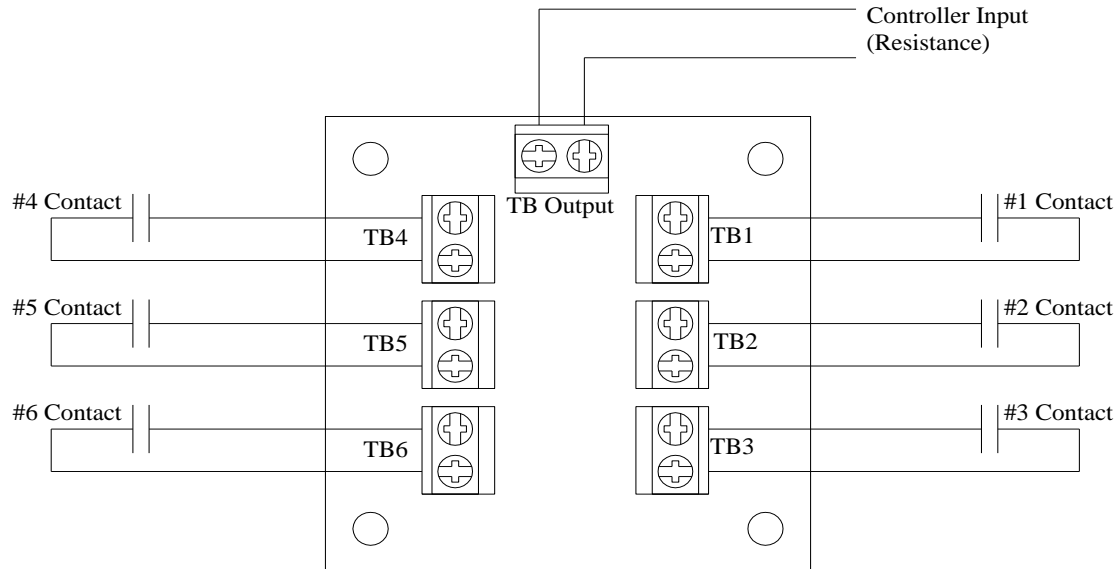
READ THESE INSTRUCTIONS BEFORE YOU BEGIN INSTALLATION

This unit is designed for the purpose of monitoring two to six inputs that represents a set of contacts at a door or window being in the open or closed position. A resistance output is then sent to your control system.

■ MOUNTING

The unit is shipped with a snap track for mounting. The circuit board also has four .156" diameter mounting holes available for different mounting option.

■ WIRING



Contact #	Open Contact (Ohms)
1	499
2	1000
3	2000
4	4020
5	8060
6	16200

■ TROUBLESHOOTING

Erratic reading

Output reads very low resistance with any one contact open

Output reads infinity or very high resistance

Bad wire connections

Contacts or wires are shorted together (0 ohms = all contacts closed)

Contacts or wires are open (31,779 ohms = all six contacts open)