



# Installation and Operation Instructions

## DRC DIN Rail Adapter Clip

### Features

- Converts snap track mount to DIN rail mount
- Economical

### Applications

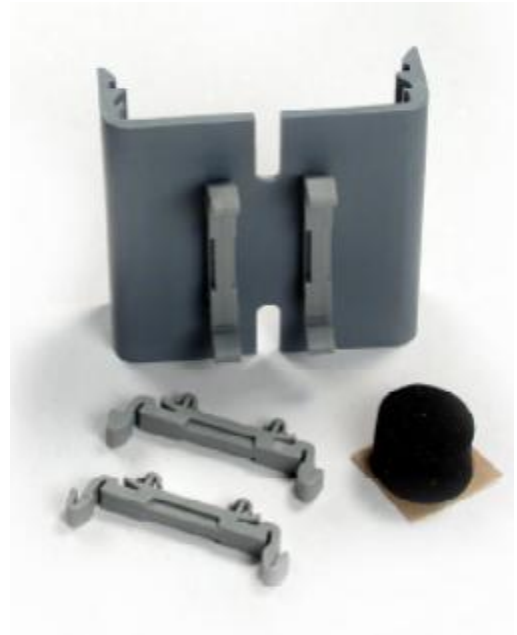
- Allows any product that mounts in snap track to be mounted on DIN rail where required

### Product Description

The DRC DIN rail adapter kit consists of two flexible plastic DIN rail clips and an adhesive backed foam “stop”.

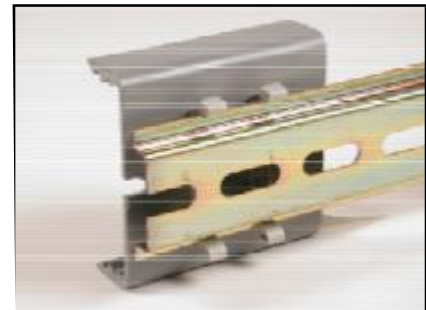
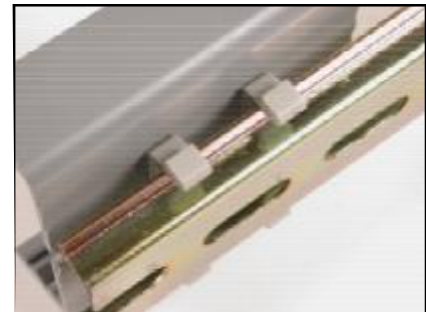
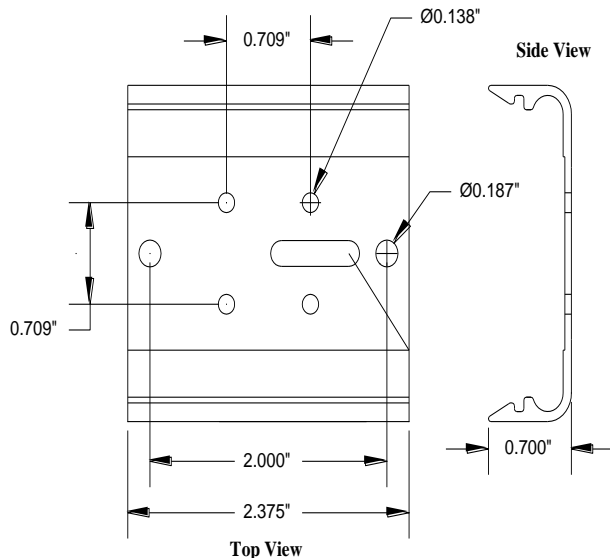
Most ACI products are supplied with a snaptrack having pre-punched holes to accommodate the DRC clips. The stems on the clips fit into the pre-punched holes in the snaptrack and have flexible locking “wings” to prevent them from backing out once installed.

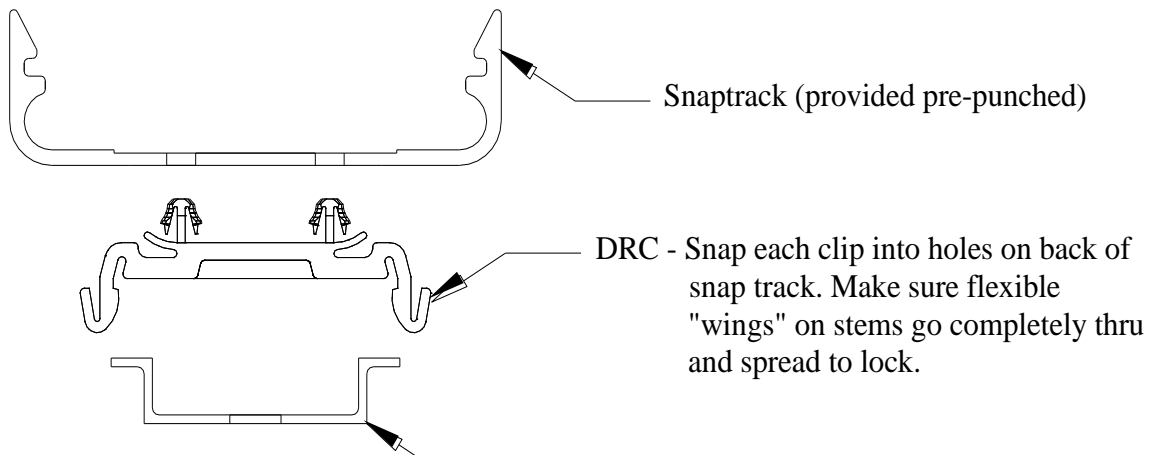
The supplied adhesive backed foam stop is used to prevent movement of the board in the snaptrack.



### Specifications

#### Dimensions





Product	Type	Features
DRC Kit	Two (2) Clips (per snaptrack)	Snap into pre-punched holes in back of snap track. Can be installed either direction for vertical <b>or</b> horizontal mounting. DRC and snap track assembly removes easily from DIN rail with screwdriver or pry tool. DRC can be removed if snap track mounting method changes. Place foam stop on snap track under terminal block leads to keep board from moving.

