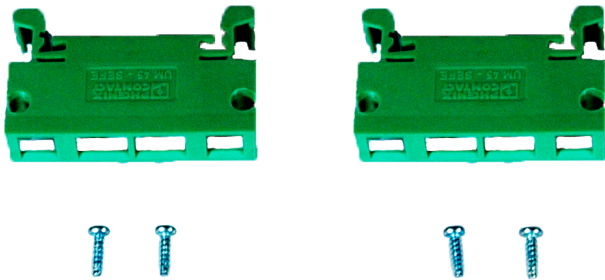


AH23

AH23

DIN Rail Mounting Kit for H84xx Meters

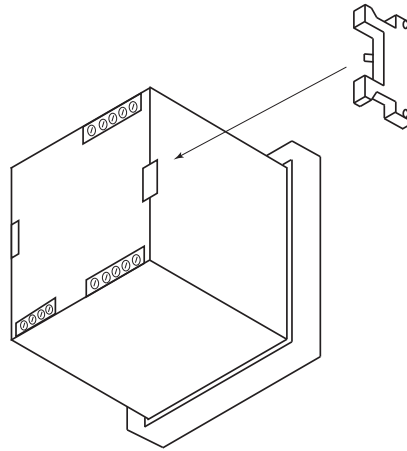


OPERATION

The AH23 DIN Rail mounting kit is used to attach the Veris H84xx Series power meter to standard DIN rail. The kit contains two DIN rail clips and four screws (Plastite, #2x5/16).

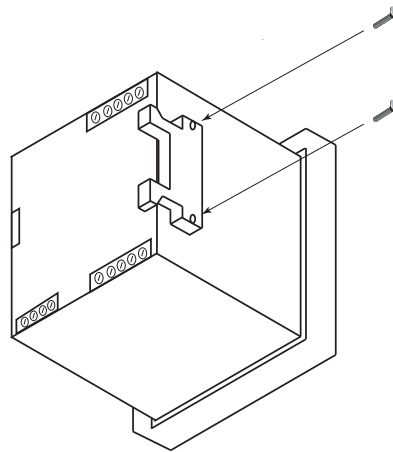
INSTALLATION

1. Insert the tab on the inside of the clip into the notch on the bottom of the H84xx as shown below.



2. Use the included screws to secure the DIN clip to the side of the H84xx. Use two screws for each clip.

Caution: Use only the screws provided to attach the AH23 clips to the H84xx meter. Substituting other screws may damage the H84xx meter.



Use only the Plastite #2x5/16 screws included with the AH23.

⚠ DANGER ⚡

HAZARD OF ELECTRIC SHOCK, EXPLOSION, OR ARC FLASH

- Follow safe electrical work practices. See NFPA 70E in the USA, or applicable local codes.
 - This equipment must only be installed and serviced by qualified electrical personnel.
 - Read, understand and follow the instructions before installing this product.
 - Turn off all power supplying equipment before working on or inside the equipment.
 - Use a properly rated voltage sensing device to confirm power is off.
- DO NOT DEPEND ON THIS PRODUCT FOR VOLTAGE INDICATION

Failure to follow these instructions will result in death or serious injury.

NOTICE

- This product is not intended for life or safety applications.
- Do not install this product in hazardous or classified locations.
- The installer is responsible for conformance to all applicable codes.

PRODUCT IDENTIFICATION

AH23 DIN Rail clips for H84xx power meters

DIMENSIONS

