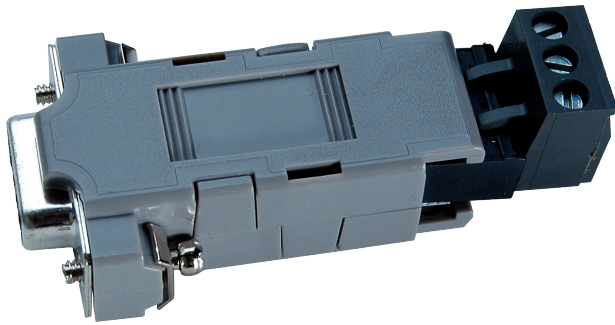


# AH07



# AH07

## RS-485 to RS-232 Converter

### OPERATION

The AH07 converts the RS-485 output signal from a 2-wire power meter into a signal compatible with a host device that has an RS-232 port (e.g. PC, data acquisition device). Up to 31 RS-485 devices can be daisy chained to a single AH07 converter. The host device acts as the power supply. The AH07 requires DTR and RTS connected to the power supply for operation.

### **⚠ DANGER ⚠**

#### HAZARD OF ELECTRIC SHOCK, EXPLOSION, OR ARC FLASH

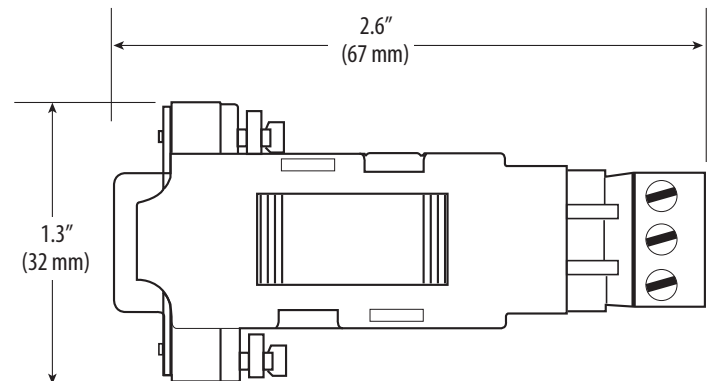
- Follow safe electrical work practices. See NFPA 70E in the USA, or applicable local codes.
- This equipment must only be installed and serviced by qualified electrical personnel.
- Read, understand and follow the instructions before installing this product.
- Turn off all power supplying equipment before working on or inside the equipment.
- Use a properly rated voltage sensing device to confirm power is off.  
DO NOT DEPEND ON THIS PRODUCT FOR VOLTAGE INDICATION

**Failure to follow these instructions will result in death or serious injury.**

### NOTICE

- This product is not intended for life or safety applications.
- Do not install this product in hazardous or classified locations.
- The installer is responsible for conformance to all applicable codes.

### DIMENSIONS



### INSTALLATION

1. Disconnect power to the power meter and the host device.
2. Connect the AH07 to the RS-232 port on the host device.
3. Wire the first meter to the AH07 slave port. Observe +, -, and S polarity as shown below. Use a 120Ω terminator between + and - (provided with the AH07).
4. If desired, daisy chain up to 31 meters or other 2-wire RS-485 devices (only 4 devices shown below). Terminate the final device in the chain with a 120Ω terminator.

### WIRING

- The terminal's voltage and current ratings are compatible with the requirements of the EIA RS-485 communications standard.
- Maximum baud rate is 19.2 kB.

