

End View:

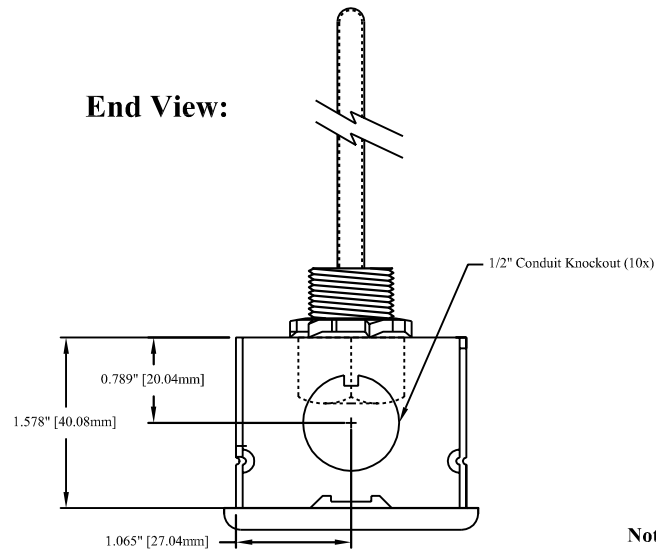


TABLE A

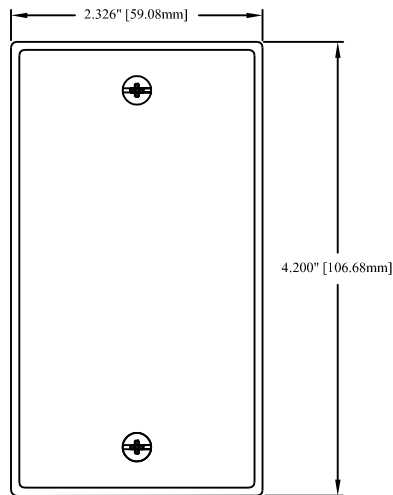
| Probe Length | Ref A (Insertion Length) | Thermowell Part # |
|--------------|-----------------------------|----------------------|
| 4.5" | 4.31" ± 0.13" | A/2.5" or A/M2.5" |
| 6" | 5.81" ± 0.13" | A/4" or A/M4" |
| 8" | 7.81" ± 0.13" | A/6" or A/M6" |

TABLE B

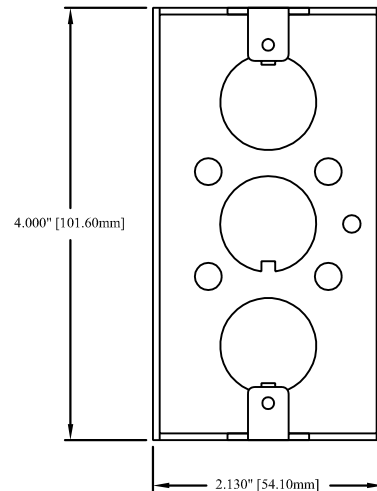
| Thermowell ACI Part # | Thermowell Insertion Length | Thermowell Drawing # | |
|--------------------------|--------------------------------|----------------------|---------------|
| | | 2-Part Well | Machined Well |
| A/2.5" | 2.50" | M0000088 | - |
| A/4" | 4.00" | M0000088 | - |
| A/6" | 6.25" | M0000088 | - |
| A/M2.5" | 2.50" | - | M0000089 |
| A/M4" | 4.50" | - | M0000090 |
| A/M6" | 6.25" | - | M0000090 |

Note: All ACI Immersion type sensors are provided with Thermowell unless specified when ordered. See Table B for thermowell types available and drawing number information.

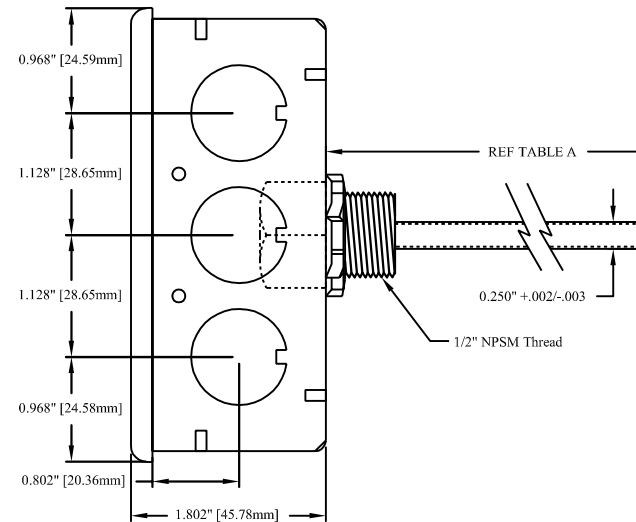
Cover:



Top View, No Cover:



Side View:



TOLERANCE: (UNLESS NOTED)
 3 PLACE DECIMAL = ±0.010
 2 PLACE DECIMAL = ±0.130
 1 PLACE DECIMAL = ±0.300
 ALL DIMENSIONS IN in[mm].
 DRAWING NOT TO SCALE.

WARNING!
 CONFIDENTIAL
 INFORMATION--
 PROPERTY OF ACI.
 UNAUTHORIZED USE
 STRICTLY FORBIDDEN.



DRAWING NUMBER
 M0000040

| DATE | DESCRIPTION | DRAWN BY | APPROVED BY | DRAWING NUMBER | REV |
|----------|------------------------------------|----------|-------------|----------------|-----|
| 11-20-07 | Immersion Temp. w/Galvanized J-Box | DJK | TJD | M0000040 | 2 |