

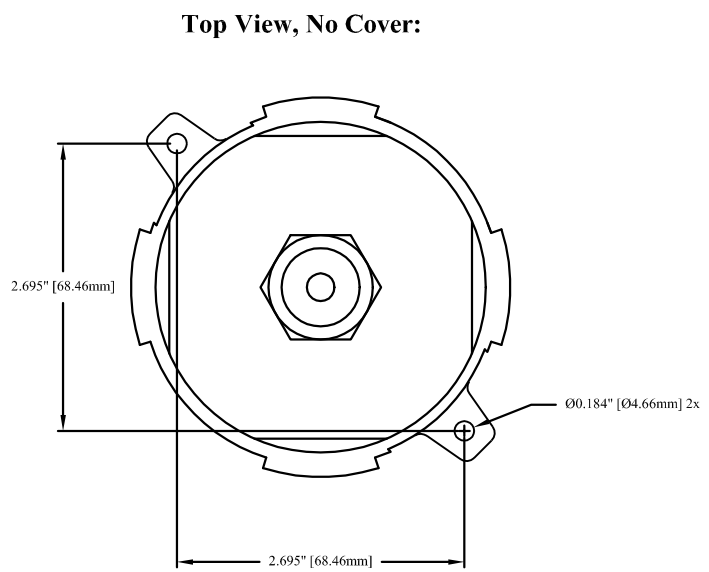
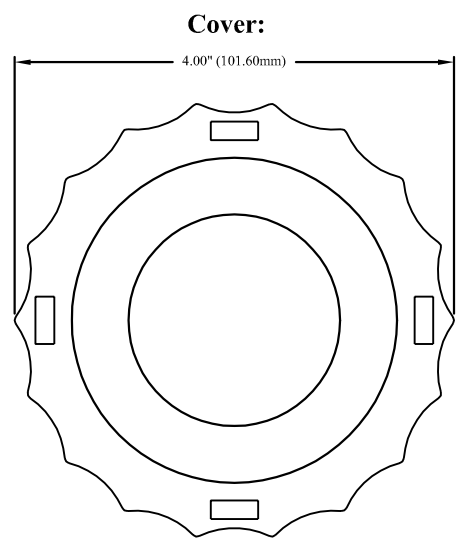
TABLE A

Probe Length	Ref A (Insertion Length)	Thermowell Part #
4.5"	4.25" ± 0.13"	A/2.5" or A/M2.5"
6"	5.63" ± 0.13"	A/4" or A/M4"
8"	7.63" ± 0.13"	A/6" or A/M6"

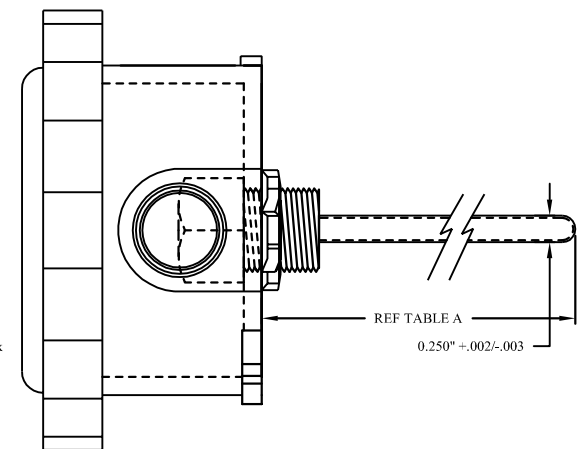
TABLE B

Thermowell ACI Part #	Thermowell Insertion Length	Thermowell Drawing #	
		2-Part Well	Machined Well
A/2.5"	2.50"	M0000088	-
A/4"	4.00"	M0000088	-
A/6"	6.25"	M0000088	-
A/M2.5"	2.50"	-	M0000089
A/M4"	4.50"	-	M0000090
A/M6"	6.25"	-	M0000090

Note: All ACI Immersion type sensors are provided with Thermowell unless specified when ordered. See Table B for thermowell types available and drawing number information.



Side View:



TOLERANCE: (UNLESS NOTED)
 3 PLACE DECIMAL = ±0.010
 2 PLACE DECIMAL = ±0.130
 1 PLACE DECIMAL = ±0.300
 ALL DIMENSIONS IN in[mm].
 DRAWING NOT TO SCALE.

WARNING!
 CONFIDENTIAL
 INFORMATION--
 PROPERTY OF ACI.
 UNAUTHORIZED USE
 STRICTLY FORBIDDEN.



DRAWING NUMBER
 M0000093

DATE	DESCRIPTION	DRAWN BY	APPROVED BY	DRAWING NUMBER	REV
2-19-08	IMMERSION TEMP w/EURO HOUSING	DJK	TJD	M0000093	1