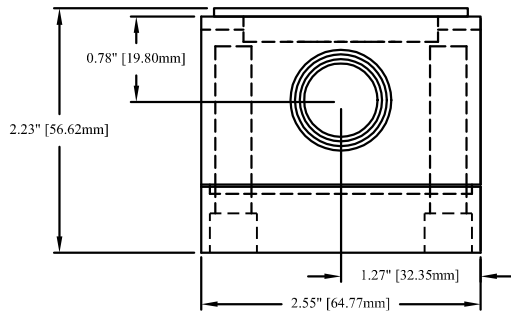


**End View:**



**TABLE A**

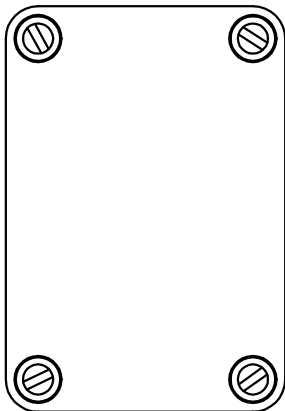
Probe Length	Ref A (Insertion Length)	Thermowell Part #
4.5"	4.31" ± 0.13"	A/2.5" or A/M2.5"
6"	5.81" ± 0.13"	A/4" or A/M4"
8"	7.81" ± 0.13"	A/6" or A/M6"

**TABLE B**

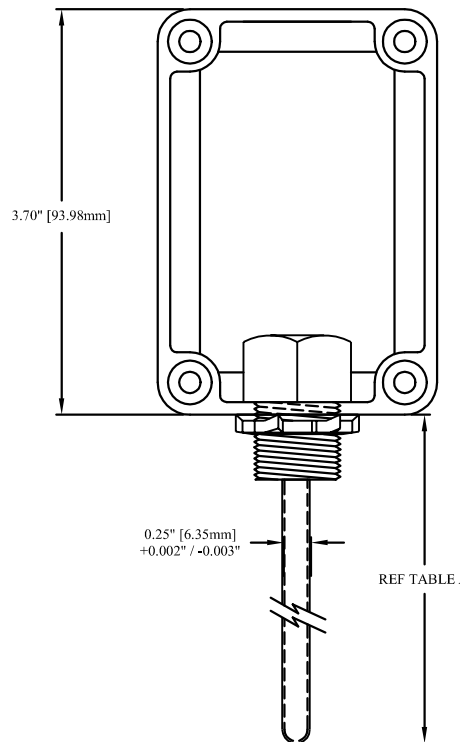
Thermowell ACI Part #	Thermowell Insertion Length	Thermowell Drawing #	
		2-Part Well	Machined Well
A/2.5"	2.50"	M0000088	-
A/4"	4.00"	M0000088	-
A/6"	6.25"	M0000088	-
A/M2.5"	2.50"	-	M0000089
A/M4"	4.50"	-	M0000090
A/M6"	6.25"	-	M0000090

**Note:** All ACI Immersion type sensors are provided with Thermowell unless specified when ordered. See Table B for thermowell types available and drawing number information.

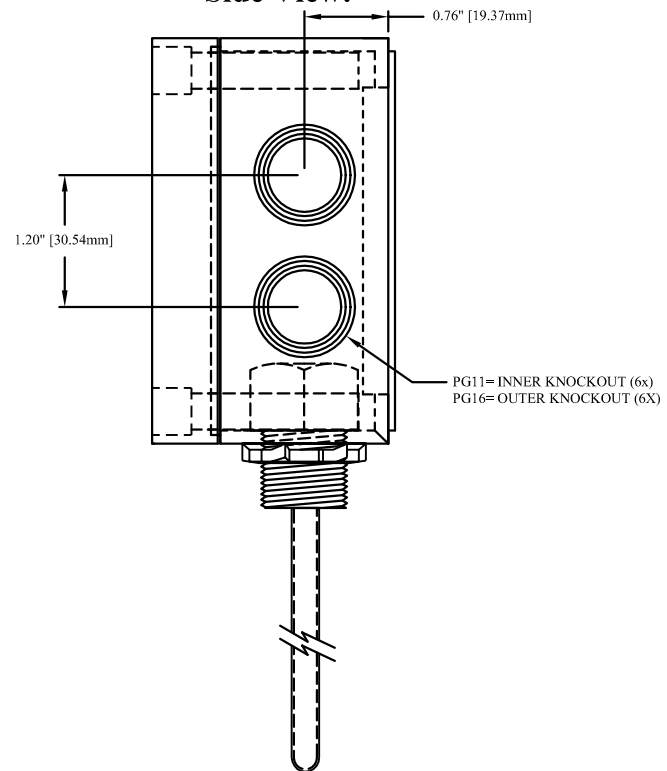
**Cover:**



**Front View, No Cover:**



**Side View:**



TOLERANCE: (UNLESS NOTED)  
 3 PLACE DECIMAL = ±0.010  
 2 PLACE DECIMAL = ±0.130  
 1 PLACE DECIMAL = ±0.300  
 ALL DIMENSIONS IN in[mm].  
 DRAWING NOT TO SCALE.

**WARNING!**  
 CONFIDENTIAL  
 INFORMATION--  
 PROPERTY OF ACI.  
 UNAUTHORIZED USE  
 STRICTLY FORBIDDEN.

**ACI**  
 Automation Components, Inc.

**DRAWING NUMBER**  
 M0000094

DATE	DESCRIPTION	DRAWN BY	APPROVED BY	DRAWING NUMBER	REV
2-20-08	IMMERSION TEMP w/ NEMA 4X BOX	DJK	TJD	M0000094	1