

End View:

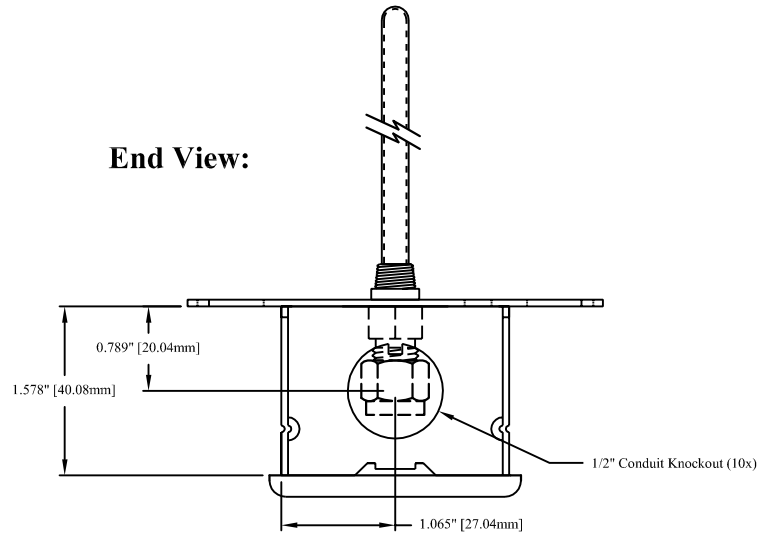
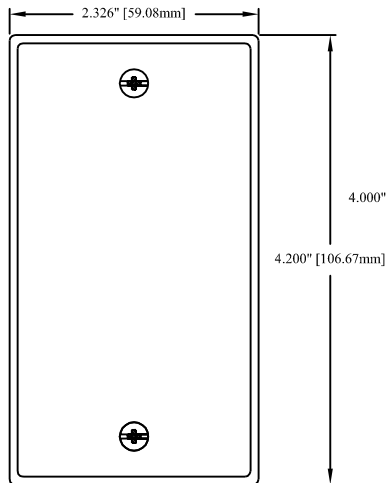


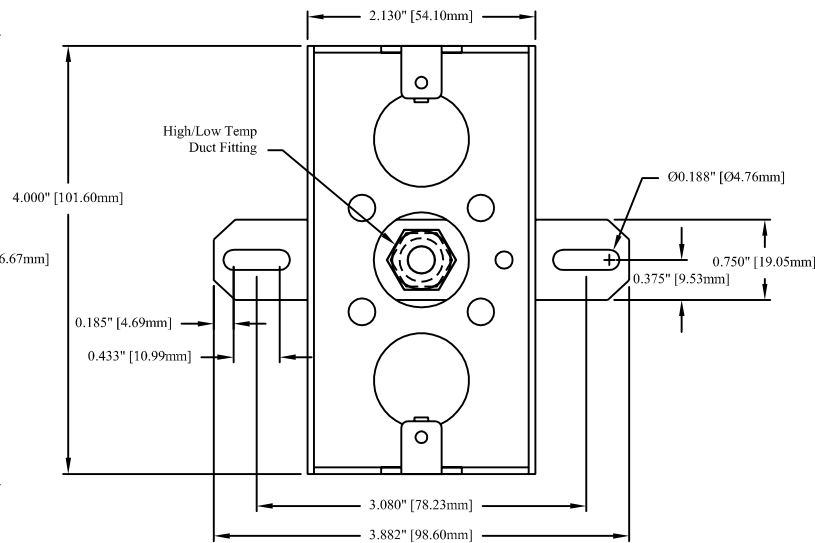
TABLE A

Probe Length	Ref A (Insertion Length)
4"	4.69" ± 0.13"
8"	6.88" ± 0.13"
12"	11.00" ± 0.25"
18"	16.88" ± 0.25"

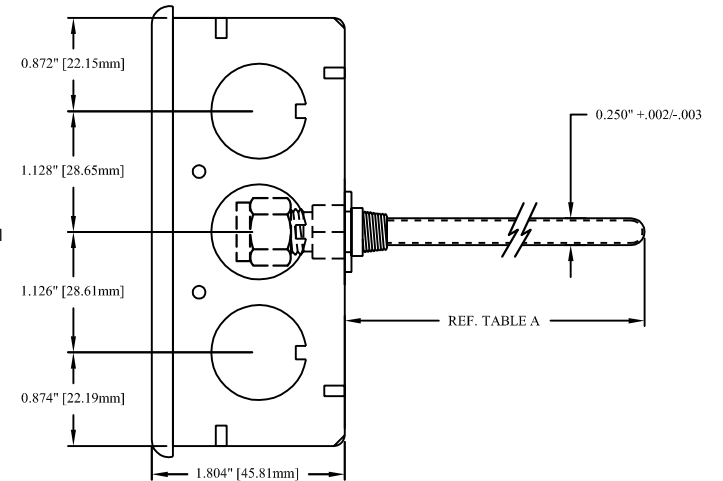
Cover:



Top View, No Cover:



Side View:



TOLERANCE: (UNLESS NOTED)
 3 PLACE DECIMAL = ±0.010
 2 PLACE DECIMAL = ±0.130
 1 PLACE DECIMAL = ±0.300
 ALL DIMENSIONS IN INCHES.
 DRAWING NOT TO SCALE.

WARNING!
 CONFIDENTIAL
 INFORMATION--
 PROPERTY OF ACI.
 UNAUTHORIZED USE
 STRICTLY FORBIDDEN.



DRAWING NUMBER
 M0000092

DATE	DESCRIPTION	DRAWN BY	APPROVED BY	DRAWING NUMBER	REV
2-18-08	DUCT HIGH TEMP w/GALVANIZED J-BOX or DUCT LOW TEMP w/GALVANIZED J-BOX	DJK	TJD	M0000092	1