

End View:

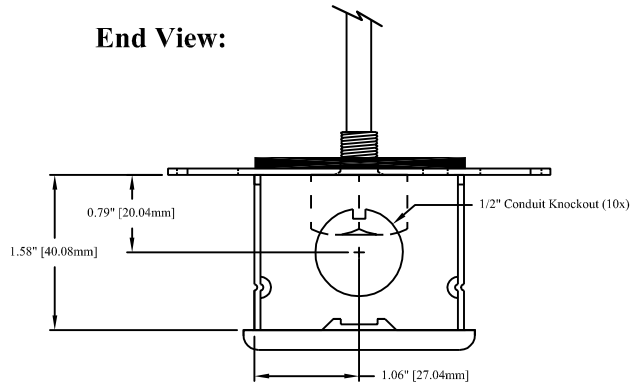
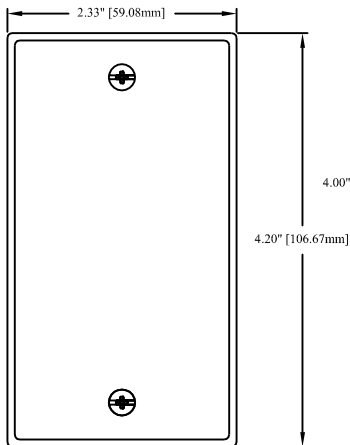


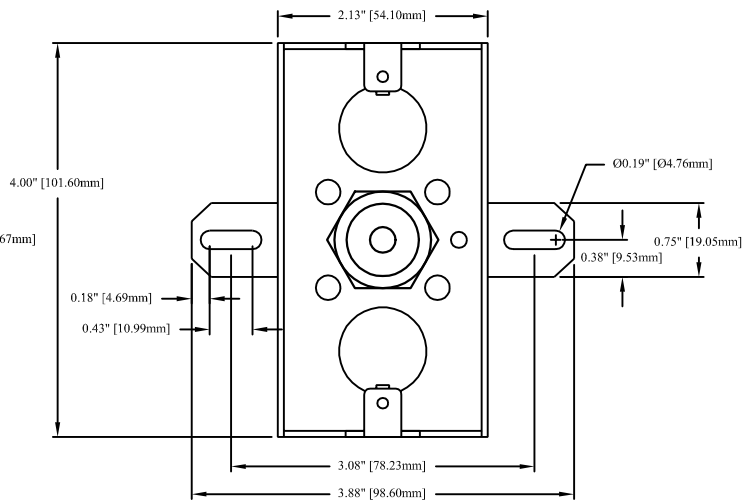
TABLE A

Standard Copper Averaging Lengths	Ref A (Insertion Length)
8'	8.0' ± 5.0"
12'	12.0' ± 5.0"
24'	24.0' ± 5.0"

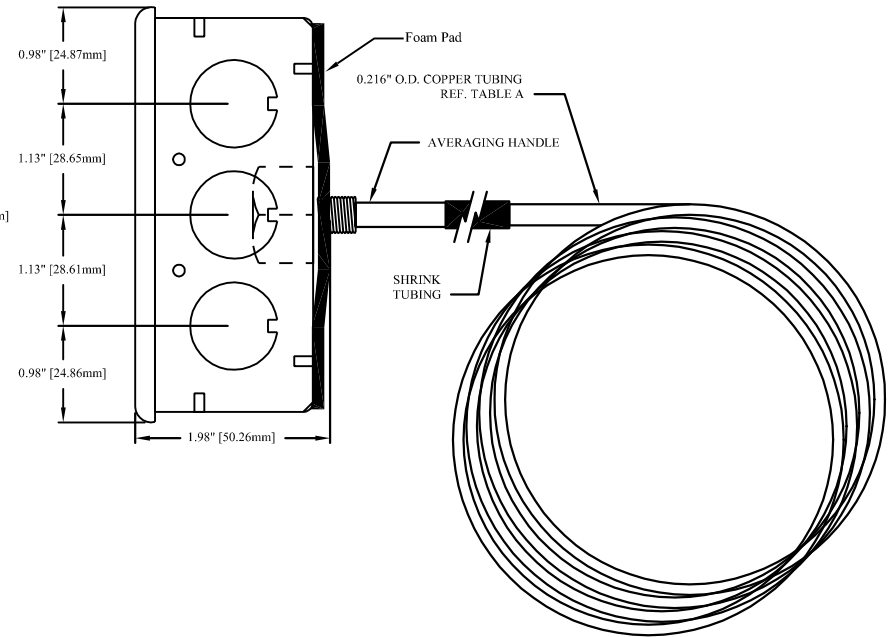
Cover:



Top View, No Cover:



Side View:



TOLERANCE: (UNLESS NOTED)
 3 PLACE DECIMAL = ±0.010
 2 PLACE DECIMAL = ±0.130
 1 PLACE DECIMAL = ±0.300
 ALL DIMENSIONS IN in[mm].
 DRAWING NOT TO SCALE.

WARNING!
 CONFIDENTIAL
 INFORMATION--
 PROPERTY OF ACI.
 UNAUTHORIZED USE
 STRICTLY FORBIDDEN.

ACI
 Automation Components, Inc.

DRAWING NUMBER
 M0000058

DATE	DESCRIPTION	DRAWN BY	APPROVED BY	DRAWING NUMBER	REV
3-6-08	COPPER AVERAGING TEMP w/ GALVANIZED J-BOX	DJK	TJD	M0000058	2