

End View:

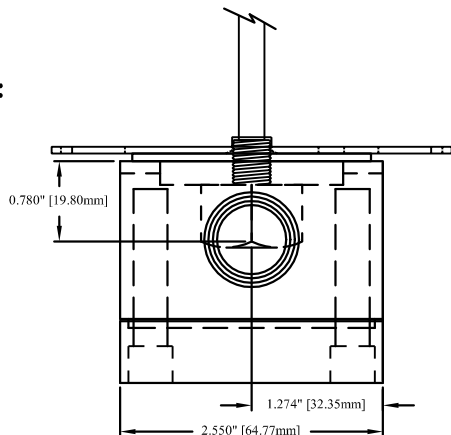
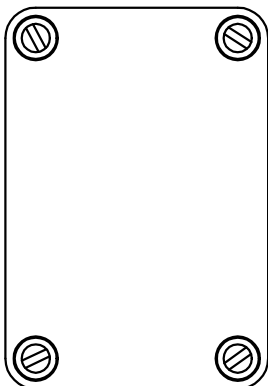


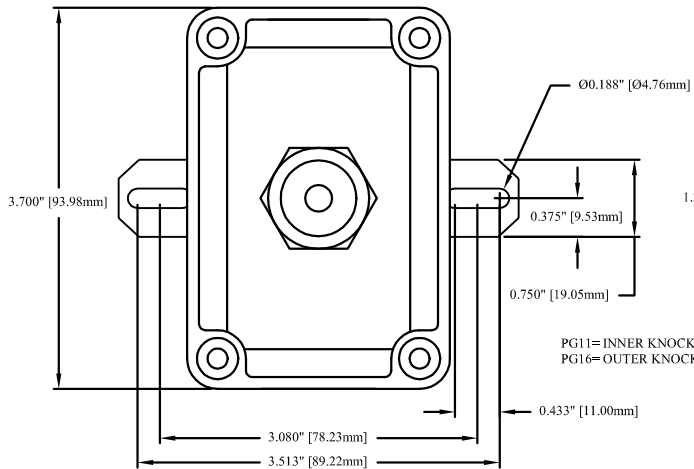
TABLE A

Standard Copper Averaging Lengths	Ref A (Insertion Length)
8'	8.0' ± 5.0"
12'	12.0' ± 5.0"
24'	24.0' ± 5.0"

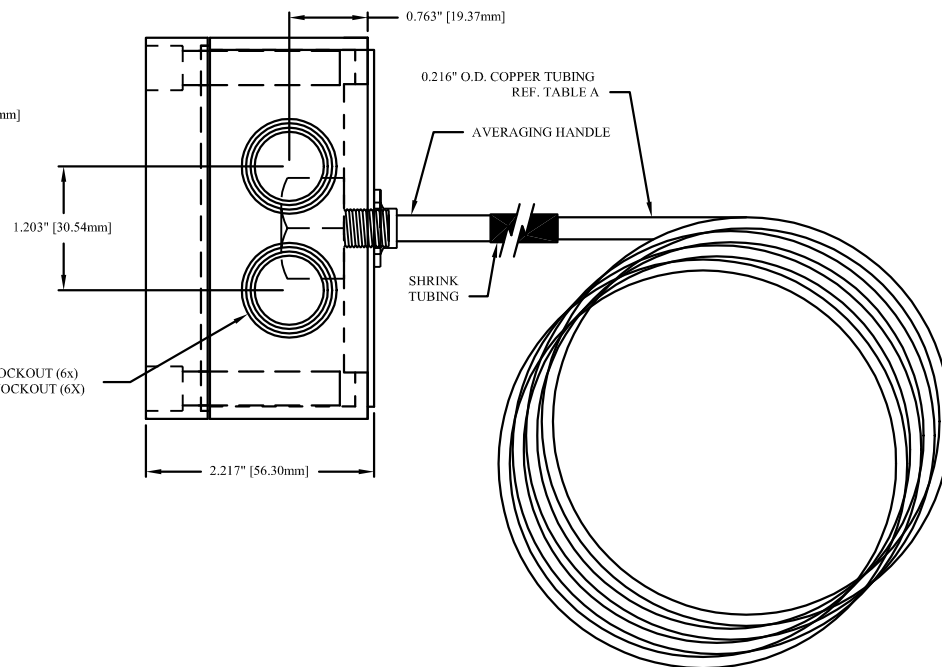
Cover:



Front View, No Cover:



Side View:



<p>TOLERANCE: (UNLESS NOTED) 3 PLACE DECIMAL = ±0.010 2 PLACE DECIMAL = ±0.130 1 PLACE DECIMAL = ±0.300 ALL DIMENSIONS IN in[mm]. DRAWING NOT TO SCALE.</p>		<p>WARNING! CONFIDENTIAL INFORMATION-- PROPERTY OF ACI. UNAUTHORIZED USE STRICTLY FORBIDDEN.</p>				<p>DRAWING NUMBER M0000056</p>	
DATE	DESCRIPTION	DRAWN BY	APPROVED BY	DRAWING NUMBER	REV		
3-6-08	COPPER AVERAGING TEMP w/ NEMA 4x BOX	DJK	TJD	M0000056	2		