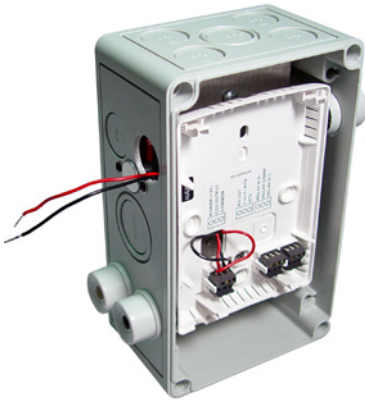


AA36



AA36

Outside Air Enclosure for the CWE/CWL CO₂ Sensors

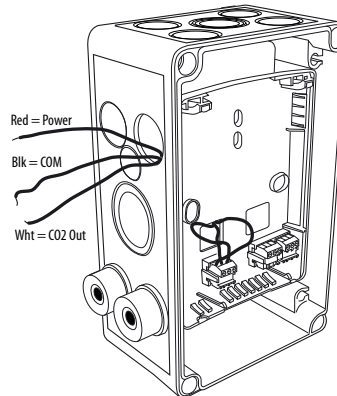
Installer's Specifications

Power Requirements	if used in temps below +10°C: 24AC/DC; 1A if used in temps above +10°C: 0.2A
Temperature Range	-40° to 70°C (-40° to 158°F)

Compatible humid or harsh environments, such as greenhouses, livestock pins, or industrial areas.

QUICK INSTALL

1. Insert mounting tabs and break off extension piece. Mount to desired locations using 4 mounting screws.
2. Mount and wire CWE/CWL sensor (not included).



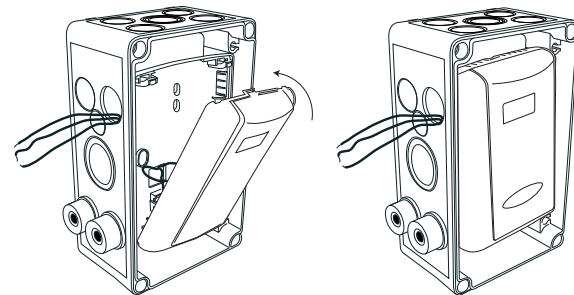
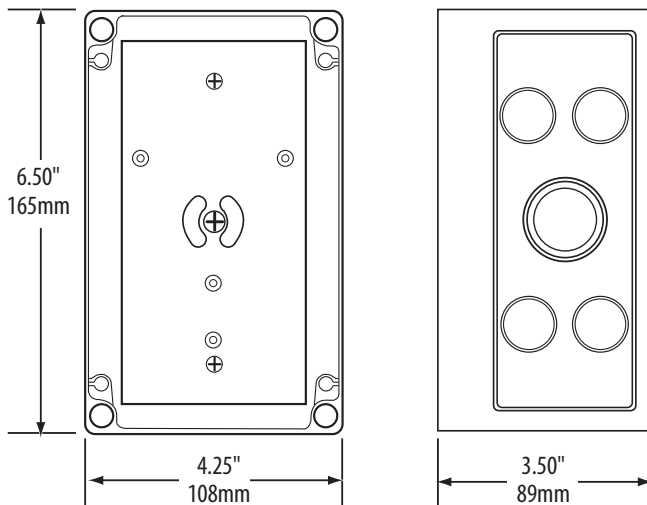
NOTICE

- This product is not intended for life or safety applications.
- Do not install this product in hazardous or classified locations.
- Read and understand the instructions before installing this product.
- Turn off all power supplying equipment before working on it.
- The installer is responsible for conformance to all applicable codes.

PRODUCT IDENTIFICATION

AA36

DIMENSIONS



3. Install AA36 cover over CWE/CWL.

