

AA14A, AA16A

*Bypass Valve Manifold and Mounting Bracket
for PWxxxx Sensor (sold separately)*

Product Overview

The AA14A and AA16A bypass valve manifolds are intended for use with the PW and PW2 series pressure transducers. The manifold allows easy commissioning of the PW sensor.

The PW sensor is sold as a separate item. If purchasing the AA16A, the PW and fittings are connected to the bracket and the manifold at the factory. If purchasing the AA14A, the PW is installed by the customer.

NOTICE

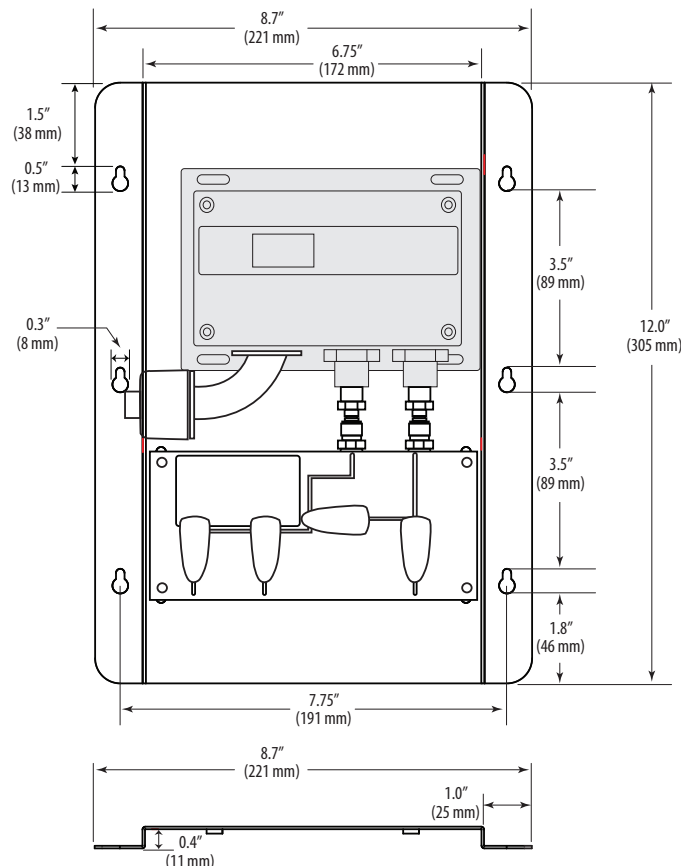
- This product is not intended for life or safety applications.
- Do not install this product in hazardous or classified locations.
- Read and understand the instructions before installing this product.
- Turn off all power supplying equipment before working on it.
- The installer is responsible for conformance to all applicable codes.

No responsibility is assumed by Veris Industries for any consequences arising out of the use of this material.

Product Identification

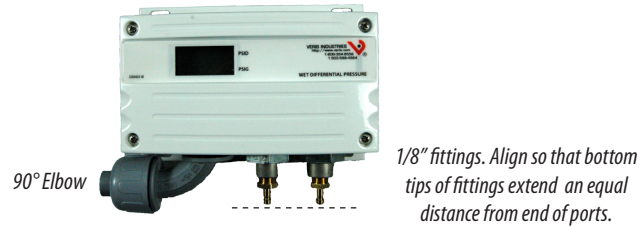
Part Number	Description
AA14A	Bracket and Manifold with Wiring Elbow, Fittings, and Screws
AA16A	Bracket and Manifold with PWxxxx, Fittings, and Elbow Installed at Factory (PWxxxx must be ordered as a separate item)

Dimensions

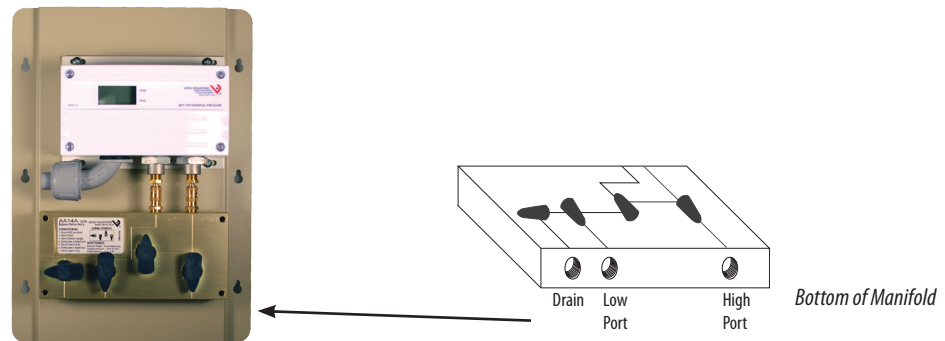


Installation (AA14A only)

1. Install 1/8" male fittings into the PWxxxx (not included) as shown. Use Teflon tape or thread sealer to ensure a leak-free seal. Align fitting tips so they extend an equal distance from the end of the PWxxxx sensor ports. Install 90° elbow to PWxxxx (not included) as shown.



2. Connect PWxxxx (not included) to AA14A Bypass Valve Manifold as shown. Use enclosed screws to secure the PWxxxx on the AA14A mounting bracket. Configure complete assembly.

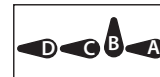


3. Install and wire the PWxxxx (not included) per the installation instructions included with that product.

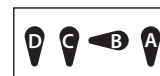
Commissioning (AA14A and AA16A)

1. Close C and D.
2. Open B (null).
3. Open D (bleed or purge).
4. Slowly open A to bleed air from line.
5. Close B, then fully open A.
6. Slowly open C to bleed air from line.
7. Close D, then fully open C.

Valve positions: All closed



Valve positions: All open



Valve positions: Normal operation



Maintenance (AA14A and AA16A)

1. Bleed or purge: see Commissioning step.
2. Equalize pressure: open B.
3. Isolate sensors: close A and C.