

AA04



AA04

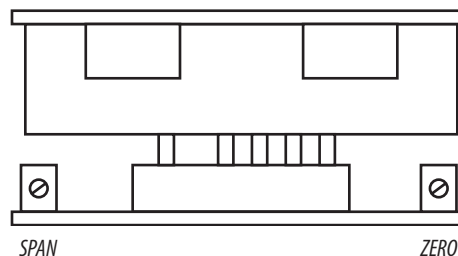
Remote Display, 4-20mA

Installer's Specifications

Repeatability	±2% full scale
Analog Output	4-20mA, scaled 0-100%; polarity sensitive
Input power	Loop powered, 12-30 VDC, 30mA max.

INSTALLATION

1. Mount indoors using the screws provided.
2. Wire the device. See the Wiring section for diagrams. Observe polarity.
3. Remove the housing cover to expose adjustment pots for calibration. Orient pots as indicated.



4. Connect a 4-20mA loop calibrator to the black and red wires.
5. Set the loop calibrator to 4mA and adjust the "ZERO" pot until the display shows an output of 0%.
6. Set the loop calibrator to 20mA and adjust the "SPAN" pot until the display shows an output of 100% (scaling to less than 100% is also permitted).
7. Repeat steps 5 and 6 until the scaling is stable at 0 and 100%.
8. Replace housing cover.

NOTICE

- This product is not intended for life or safety applications.
- Do not install this product in hazardous or classified locations.
- Read and understand the instructions before installing this product.
- Turn off all power supplying equipment before working on it.
- The installer is responsible for conformance to all applicable codes.

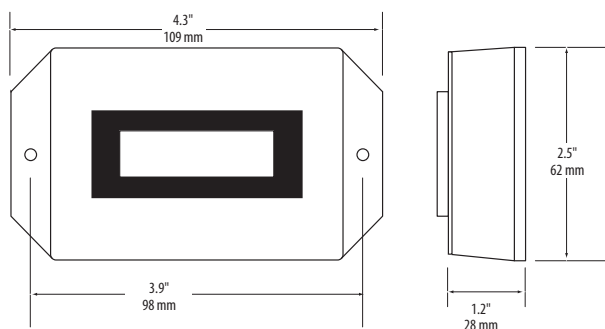
PRODUCT IDENTIFICATION

AA04 Remote display for use with 4-20 mA output devices

OPERATION

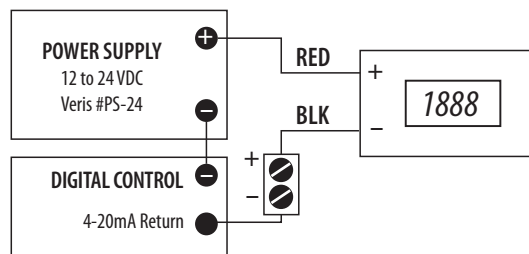
The AA04 remote display converts a standard 4-20 mA output from an environmental sensor into a convenient digital readout.

DIMENSIONS



WIRING

2-Wire, Loop powered, Sinking Transmitter



3-Wire, Sourcing Transmitter

