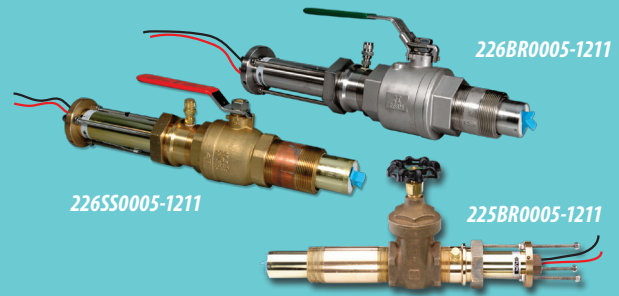


# Insertion Meter, Standard Impeller, Hot Tap

## Permits Service While System Is Pressurized



### DESCRIPTION

Insert-style hot tap liquid flow sensors with brass or stainless steel sleeves feature a ball or gate valve for pipe sizes 3" to 40" (77 to 1016 mm). These devices are designed for hot tap applications in pipes that cannot be drained for service. The HTT tool is required for hot tap installation. Use with a Veris flow monitor or transmitter for a complete flow monitoring system.

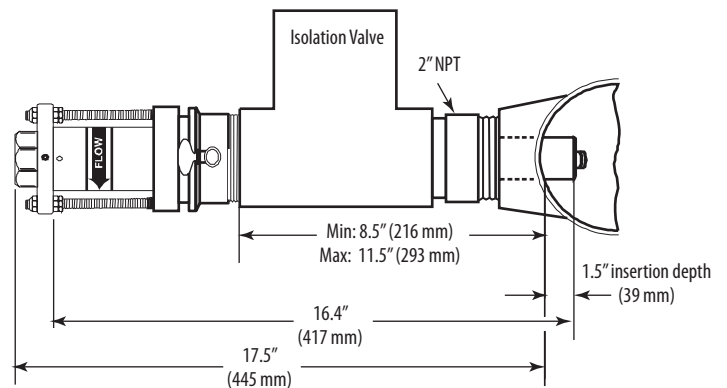
### APPLICATIONS

- Measuring liquid flow rates
- Accounting for total accumulated flow

### FEATURES

- Hot tap design for use in applications where the pipe cannot be drained for service after installation...reduce downtime for maintenance
- Six-bladed impeller design with a proprietary, non-magnetic sensing mechanism...high accuracy and repeatability
- Forward-swept impeller is less prone to fouling by water-borne debris...reliable performance with minimal downtime
- Signal can travel up to 2000 ft (609 m) between the sensor and the display unit without the need for amplification
- Supplied with 20 ft (6 m) of 2-conductor 20 AWG UL type PTLC cable (105°C rated)

### DIMENSIONAL DRAWING



### SPECIFICATIONS



<b>Temperature Rating</b>	105°C (221°F) continuous
<b>Pressure Rating</b>	At 38°C (100°F) 225BR: 300 psi; 226BR/226SS: 400 psi; At 105°C (221°F) 225BR: 210 psi; 226BR: 250 psi; 226SS: 300 psi
<b>Wetted Materials</b>	UHMW-PE bearing, polyamide impeller, tungsten carbide shaft, EPDM O-rings
<b>Accuracy</b>	±1.0% of full scale over recommended design flow range; ±4.0% of reading within calibration range*
<b>Repeatability</b>	±0.3% of full scale over recommended design flow range*
<b>Linearity</b>	±0.2% of full scale over recommended design flow range*
<b>Output Frequency</b>	3.2 Hz to 200 Hz
<b>Output Pulse Width</b>	5 msec ±25%

\* ≥10 upstream and ≥5 downstream straight pipe diameters, uninterrupted flow.

### ORDERING INFORMATION

MODEL	MANUF. PART #	DESCRIPTION
U001-0003	225BR0005-1211*	Flow, Sensor, Hot Tap, Brass, Gate Valve
U001-0004	226BR0005-1211*	Flow, Sensor, Hot Tap, Brass, Ball Valve
U001-0005	226SS0005-1211*	Flow, Sensor, Hot Tap, SS, Ball Valve
U001-0071	HTT	Flow, Tool, Hot Tap, 200 Series, insert/remove

\* If pipe is charged, HTT tool is required for insertion into 2" NPT hole.