

SurgeFree™

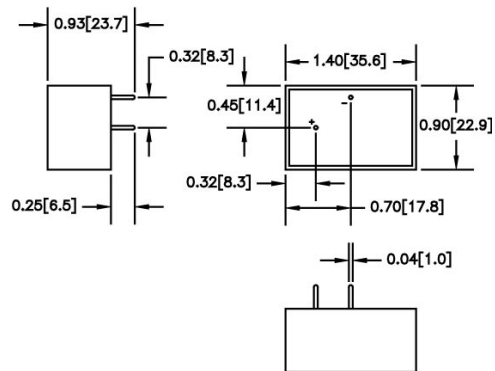
299-400-48

MODEL

The CB08 Series

Space-Efficient Crowbar Protection

The MCG CB08 crowbar line addresses the need to protect low voltage microelectronics from damaging overvoltage events, usually caused by failing power supply regulation. Reacting to an overvoltage in just microseconds, the unit protects even the most sensitive circuits from damage. The CB08 series is available in wide range of standard trip voltages. They are epoxy encapsulated with a small footprint and a low-profile for easy OEM application.



Units are expressed in inches.

Specifications



Vtrip (standard voltages in DC volts): 3.0, 3.7, 4.1, 4.3, 4.7, 5.5, 6.4, 7.9, 10.4, 13.5, 14.5, 15.4, 16.4, 18.4, 20.4, 22.4, 24.4, 26.4, 30.4, 32.4, 36.4, 40.4, 44.4, 48.4, 54.4, 60.4, 66.4, 72.4, 100, 120, 147, 167, 200, 220, 247, 287, 300, 340, 360

Vtrip tolerance: (T= 25°C (77°F)): +/- 5 %
(T= -10° to +60°C (14° to +140°F)): +/- 10 %

Response time: Less than 5 microseconds

I leakage (T= 25°C (77°F)) Vt = 3.0 thru 10.4V: < 6mA @ V = Vt - (10% Vt)
Vt > 10.4V: < 50 µA @ V = Vt - (10% Vt)

I_{dc} Max: 20A

Hold Current (T= 25°C (77°F)): 18mA Typical, 40mA Max

Temperature (Operating/Storage): -40° to +70° C / -40° to +85° C (-40° to +158° F / -40° to +185° F)

Construction: Epoxy encapsulated, DAP (diallyl ortho phthalate) enclosure

Dimensions, Enclosure: 1.4"L x 0.9"W x 0.68"H (35.6mm L x 22.9mm W x 17.3 mm H)

Terminals: 0.255"L, 0.040"d (6.5mm L, 1.0mm d)

Model Buildup: CB08-20A/xxxVDC where xxx is the desired Vtrip. Example: CB08-20A/200VDC

APPLICATION NOTE: For most common applications, choose the crowbar with the highest trip voltage (Vtrip) that the load can withstand continuously without damage. Vtrip must be greater than the maximum voltage (DC or peak) that the power supply provides nominally.

Example: Load is powered by 5VDC. Maximum power supply output is 5.5VDC during normal operation. Load can safely withstand 7.0 VDC continuously. Choose model with Vtrip = 6.4VDC.